



SOT-553 Plastic-Encapsulate Diodes

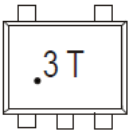
RB480V

SCHOTTKLY BARRIER DIODE

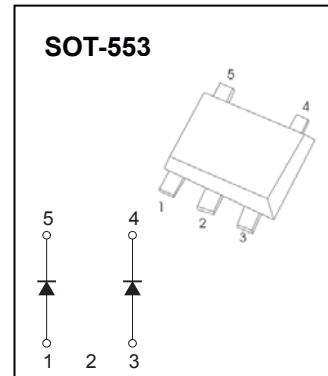
FEATURES

- Low current rectification
- High reliability

MARKING: 3T



Solid dot = Pin1 indicate.



Maximum Ratings and Electrical Characteristics, Single Diode @Ta=25°C

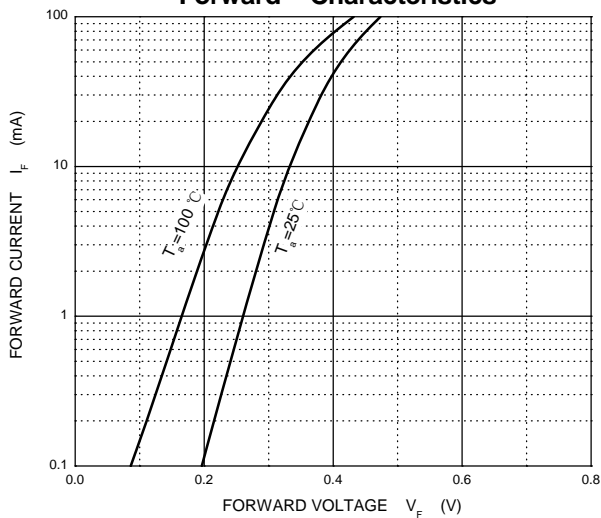
Parameter	Symbol	Limit	Unit
Peak reverse voltage	V_{RM}	45	V
DC reverse	V_R	40	V
Non-repetitive Peak Forward Surge Current@t=8.3ms	I_{FSM}	1	A
Mean rectifying current	I_O	0.1	A
Power Dissipation	P_D	150	mW
Thermal Resistance Junction to Ambient	$R_{\theta JA}$	667	°C/W
Junction temperature	T_j	125	°C
Storage temperature	T_{stg}	-55~+150	°C

Electrical Ratings @Ta=25°C

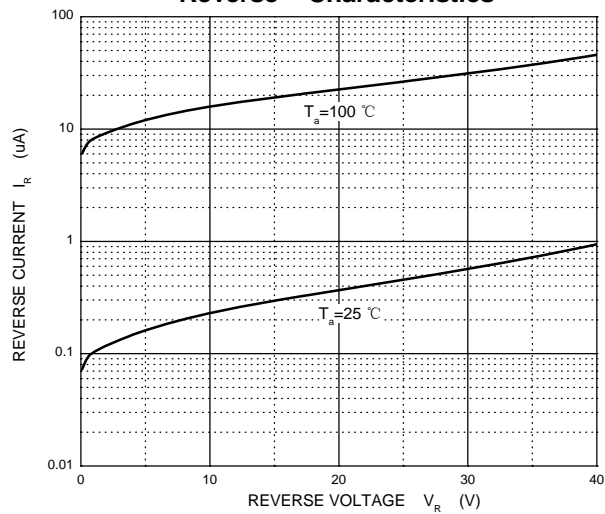
Parameter Sy	mbol	Min	Typ	Max	Unit	Conditions
Forward voltage	V_F			450 600	mV	$I_F=10mA$ $I_F=100mA$
Reverse current	I_R			1 5	μA	$V_R=10V$ $V_R=40V$
Capacitance between terminals	C_T		6	25	pF	$V_R=0V$ $V_R=10V, f=1MHz$

Typical Characteristics

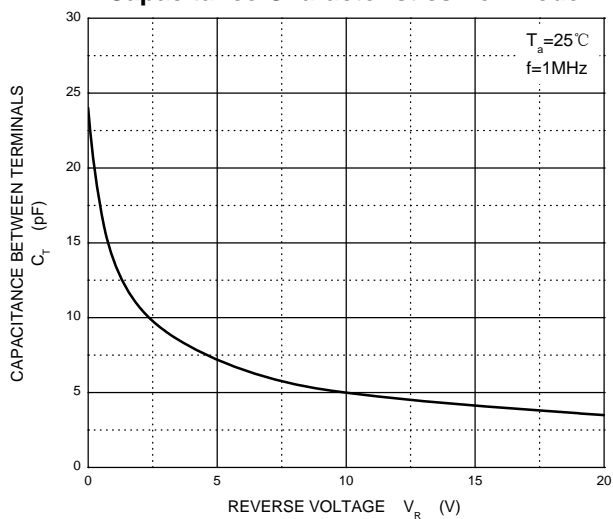
Forward Characteristics



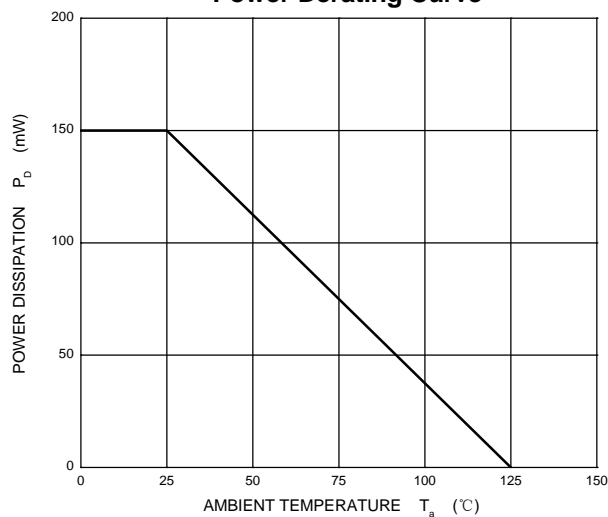
Reverse Characteristics



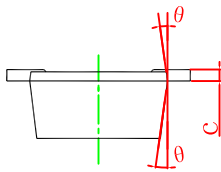
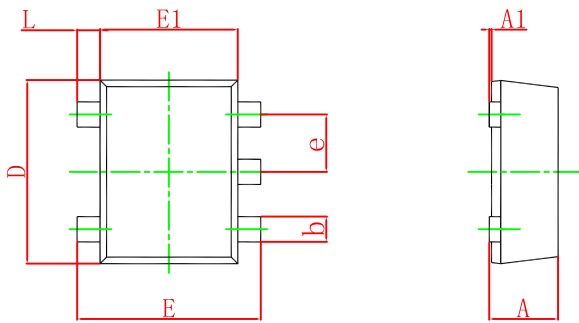
Capacitance Characteristics Per Diode



Power Derating Curve

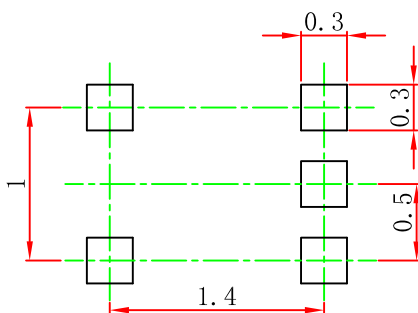


SOT-553 Package Outline Dimensions



Symbol	Dimensions In Millimeters		Dimensions In Inches	
	Min.	Max.	Min.	Max.
A	0.525	0.600	0.021	0.024
A1	0.000	0.050	0.000	0.002
e	0.450	0.550	0.018	0.022
c	0.090	0.160	0.004	0.006
D	1.500	1.700	0.059	0.067
b	0.170	0.270	0.007	0.011
E1	1.100	1.300	0.043	0.051
E	1.500	1.700	0.059	0.067
L	0.100	0.300	0.004	0.012
θ	7° REF.		7° REF.	

SOT-553 Suggested Pad Layout



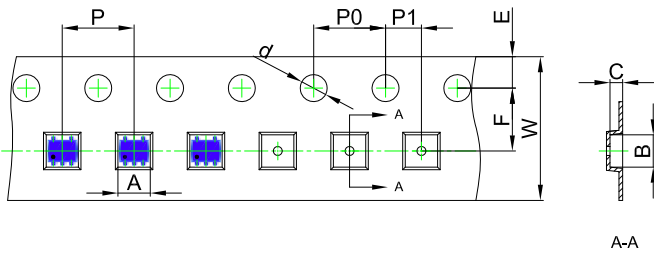
- Note:
1. Controlling dimension: in millimeters.
 2. General tolerance: ± 0.05 mm.
 3. The pad layout is for reference purposes only.

NOTICE

JCET reserve the right to make modifications, enhancements, improvements, corrections or other changes without further notice to any product herein. JCET does not assume any liability arising out of the application or use of any product described herein.

SOT-553 Tape and Reel

SOT-553 Embossed Carrier Tape

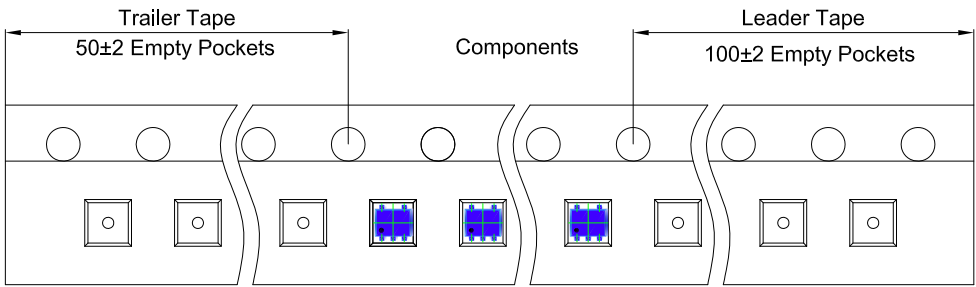


Packaging Description:
 SOT-553 parts are shipped in tape. The carrier tape is made from a dissipative (carbon filled) polycarbonate resin. The cover tape is a multilayer film (Heat Activated Adhesive in nature) primarily composed of polyester film, adhesive layer, sealant, and anti-static sprayed agent. These reeled parts in standard option are shipped with 3,000 units per 7" or 17.8cm diameter reel. The reels are clear in color and is made of polystyrene plastic (anti-static coated).

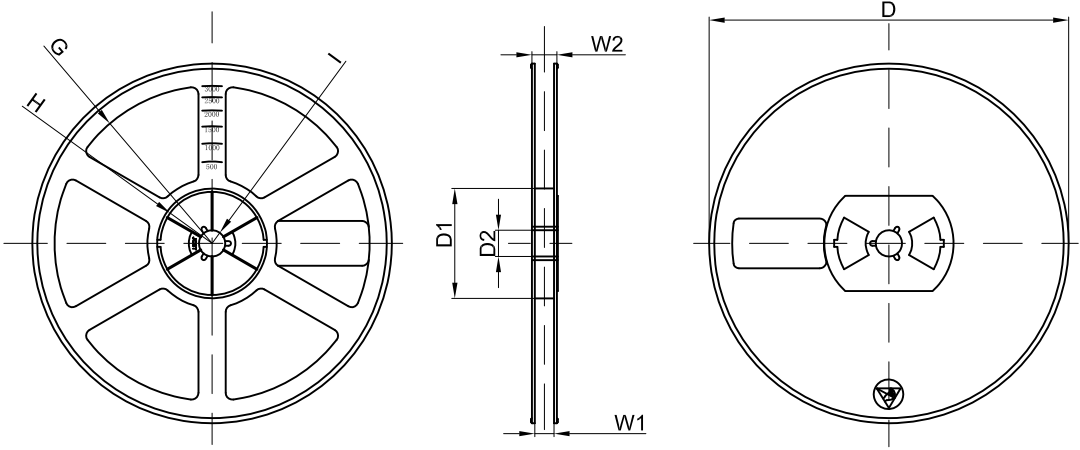
Dimensions are in millimeter

Pkg type	A	B	C	d	E	F	P0	P	P1	W
SOT-553	1.78	1.78	0.69	Ø1.50	1.75	3.50	4.00	4.00	2.00	8.00

SOT-553 Tape Leader and Trailer



SOT-553 Reel



Dimensions are in millimeter

Reel Option	D	D1	D2	G	H	I	W1	W2
7"Dia	Ø178.00	54.40	13.00	R78.00	R25.60	R6.50	9.50	12.30

REEL	Reel Size	Box	Box Size(mm)	Carton	Carton Size(mm)	G.W.(kg)
3000 pcs	7 inch	45,000 pcs	203×203×195	180,000 pcs	438×438×220	