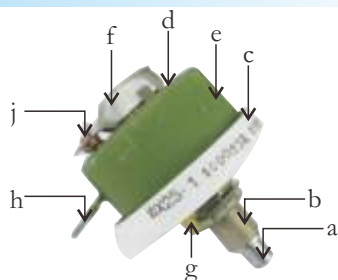




● Features

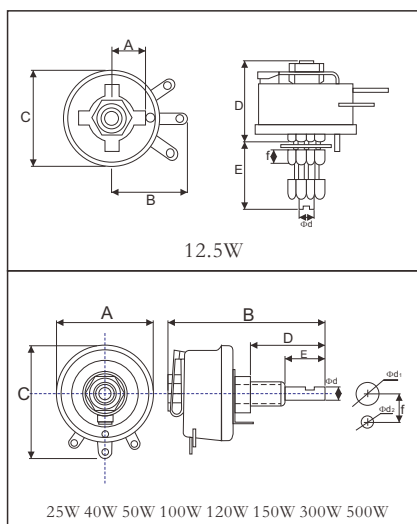
- (1) More shaft length & shape are available
- (2) High power, stable resistance
- (3) Packed in boxes

● Constructions



a	Fix Position
b	Movable Screw
c	Base
d	Alloy Wire
e	Insulation Coating
f	Insulation Terminal
g	Fastener
h	Terminal Block
j	Electric Brush

● Dimensions



Power	Dimensions(mm)								
	A	B	C	D	E	f	Φd	Φd1	Φd2
12.5W	7	16	22	16	17	3	3	/	/
25W	40	61	45	27	16	13	6	10.2	5.5
40W	50	63	62	27	16	13	6	10.2	5.5
50W	62	65	70	27	16	13	6	10.2	5.5
100W	82	65	91	27	16	13	6	10.2	5.5
120W	82	76	91	27	16	13	6	10.2	5.5
150W	99	78	110	27	16	13	6	10.2	5.5
300W	180	135	170	45	16	/	10	/	/
500W	230	135	210	60	16	/	10	/	/

Notes: Can be in series with two or three:

50W*2, 100W*2, 150W*2, 300W*2, 500W*2, 150W*3, 300W*3, 500W*3.

● Ordering Information

Example:

WX	50	J	C8	100R0
(1)	(2)	(3)	(4)	(5)
Series Name	Power Rating	Resistance Tolerance	TCR	Resistance

(1) Type: WX SERIES

(2) Power Rating: 50=50W, 100=100W, 120=120W, 150=150W...

(3) Tolerance: J=±5%, K=±10%

(4) Resistance Value: 100R0=100Ω

● Reference Standards

JIS C 5201-1

Physical Characteristics

Total mechanical travel	280°C ± 10°C
Starting torque	≅ 0.15N.m
Mark , Type , Nominal Resistance , Resistance tolerance Manufacture date, Trade mark	
Standard package	10 pcs/box

Electrical Characteristics

Range of nominal resistance	2.2~8.2KΩ
Resistance tolerance	± 10%
Terminal resistance	≅ 0.2% or 0.1Ω
Insulation resistance	R1 ≧ 1GΩ(500Vdc)
Insulation voltage	1000Vac
Max heating temperature	300°C

Performance

Test Items	Test Methods(JIS C 5201-1)
Rated power	12.5W~1500W
Thermal cycles	-55°C ~ +300°C
Vibration	10~200HZ, 40m/s ² , 3h ΔR ≅ ± 3%R
Temperature cycling	-55°C, 30min, 85°C, 30min, 3 cycles ΔR ≅ ± 3%R, R1 ≧ 500MΩ
Moisture	40 ± 2°C, RH:95%~98% 48h ΔR ≅ ± 3%R, R1 ≧ 100MΩ
Load wear-resistance	R ≅ 1KΩ:10000 cycles R > 1KΩ:1000 cycles, ΔR ≅ ± 5%R
Collision	60~100 cycles /min, 150m/s ² , 4000cycles, no mechanical damage
Centrifugal	150m/s ² , 5min ,3 cycles, (one-way, smoothly, continuously, no mechanical damage)