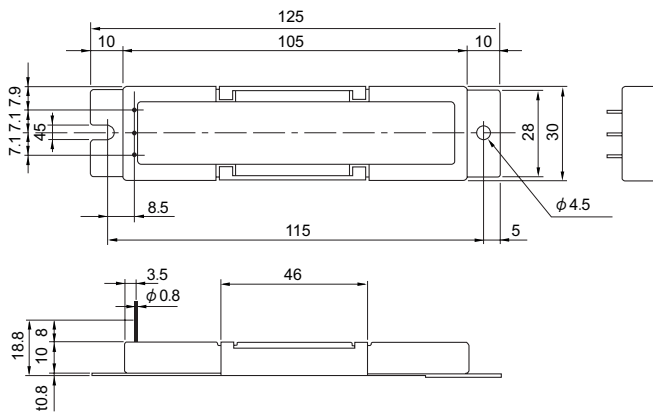


## SH50



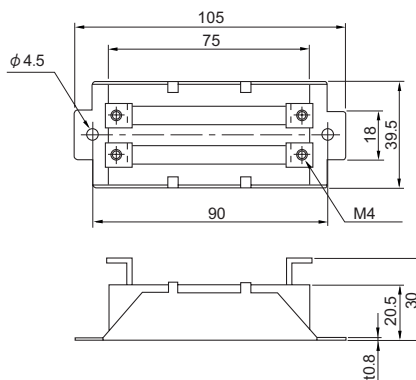
Rated Power	50W
Resistance Range	0.1 Ω ~ 20K Ω
Tolerance	±5%, ±10%



## SH60(30 × 2)

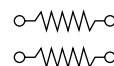


Rated Power	60W
Resistance Range	0.1 Ω ~ 20K Ω
Tolerance	±5%, ±10%



Circuit Schematic:

A Circuit



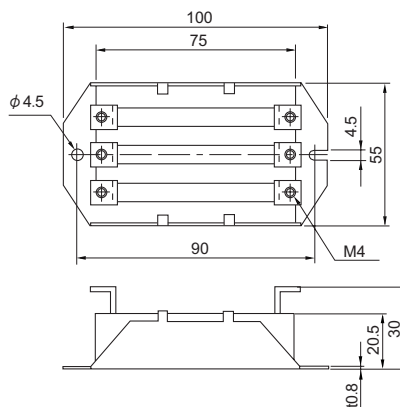
B Circuit



## SH90(30 × 3)

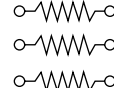


Rated Power	90W
Resistance Range	0.1 Ω ~ 20K Ω
Tolerance	±5%, ±10%

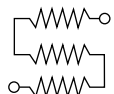


Circuit Schematic:

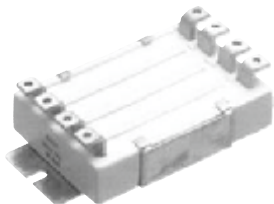
A Circuit



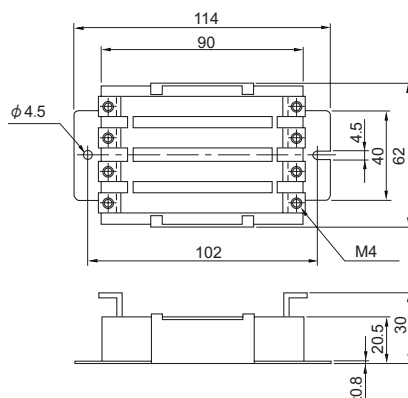
B Circuit



## SH120(30 × 4)

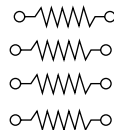


Rated Power	120W
Resistance Range	0.1 Ω ~ 20K Ω
Tolerance	±5%, ±10%



Circuit Schematic:

A Circuit



B Circuit

