

● Features

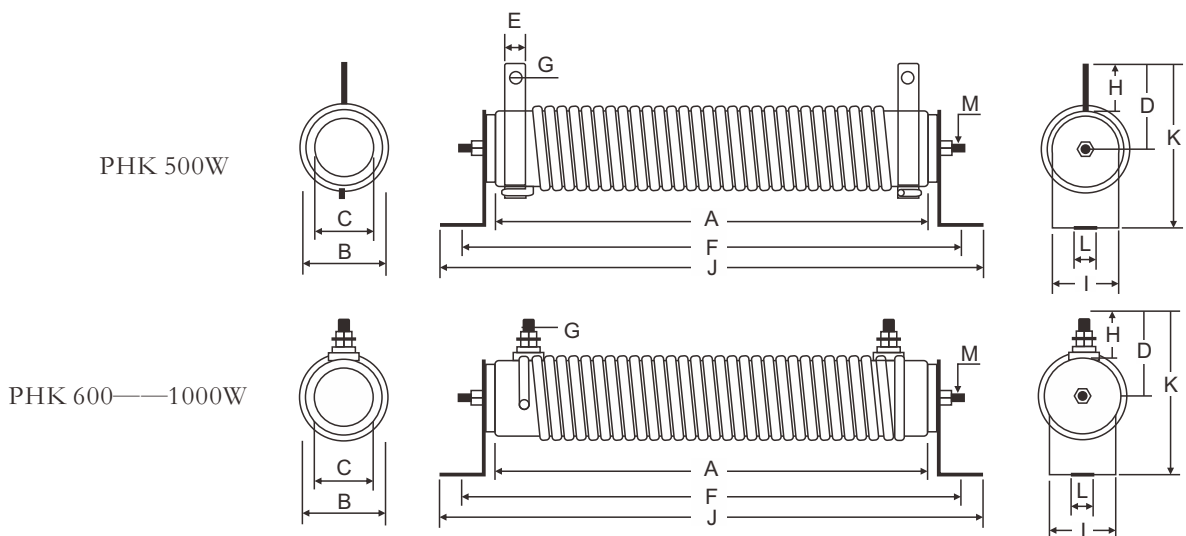
- I A tubular ceramic insulator has a fixed number of windings and is wound with heavy alloy wire as a resistance element. The staggering wound is made according to the desired resistance value.
- II Metal parts are heavily plated to prevent oxidation at high operating temperature and to prevent corrosion. PHK's high power rating(500w-1000w) and low resistance value (0.5Ω-0.7Ω) provide application high starter power and capacity.

III This power wirewound resistor is high temperature-resistant, dissipates heat well ,has a low temperature coefficient that varies direct in direct proportion, and is suitable for application loads involving brief current surges.

● Applications

- I Typical applications for power starter resistors in motor starters , load measurements, industrial machinery, electric distribution, dynamic braking, load dumping , current limiting, instrumentation, and automation control installations.
- II Due to the set number of windings on the ceramic form ,the resistance value range is relatively low . Tolerance is $\pm 10\%$ and this product is available in various in resistance boxes.

● Dimensions



型号	功率	尺寸(mm)											阻值范围	
		A	B	C	D	E	F	G	H	I	J	K		L
PHK	500W	280	40	23	45	15	326	6	22	34	346	85	8	3.5Ω-7MΩ
	600W	300	44	26	50	15	342	8	32	34	362	90	8	0.5Ω-3MΩ
	1000W	420	48	30	56	15	470	8	32	40	490	105	9	0.8Ω-3MΩ

● Ordering Information

Example

PHK	500	K	10R00	(1)Type: PHK
(1)	(2)	(3)	(4)	(2)Power Rating:500W,600W,1000W
Type	Power Rating	Resistance Tolerance	Resistance	(3)Resistance tolerance:K= $\pm 10\%$
				(4)Resistance0R100=0.1Ω,1R000=1Ω,10R00=10Ω