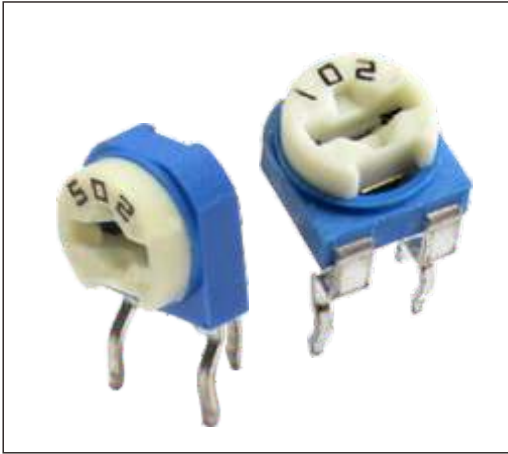
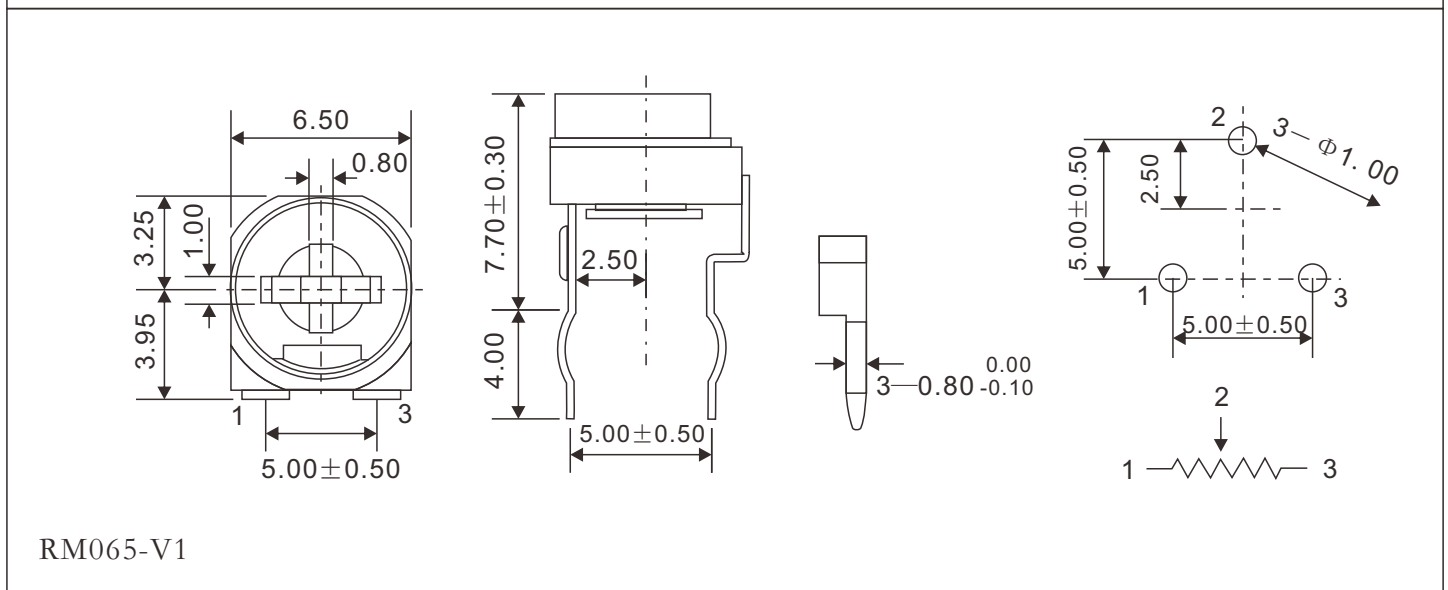
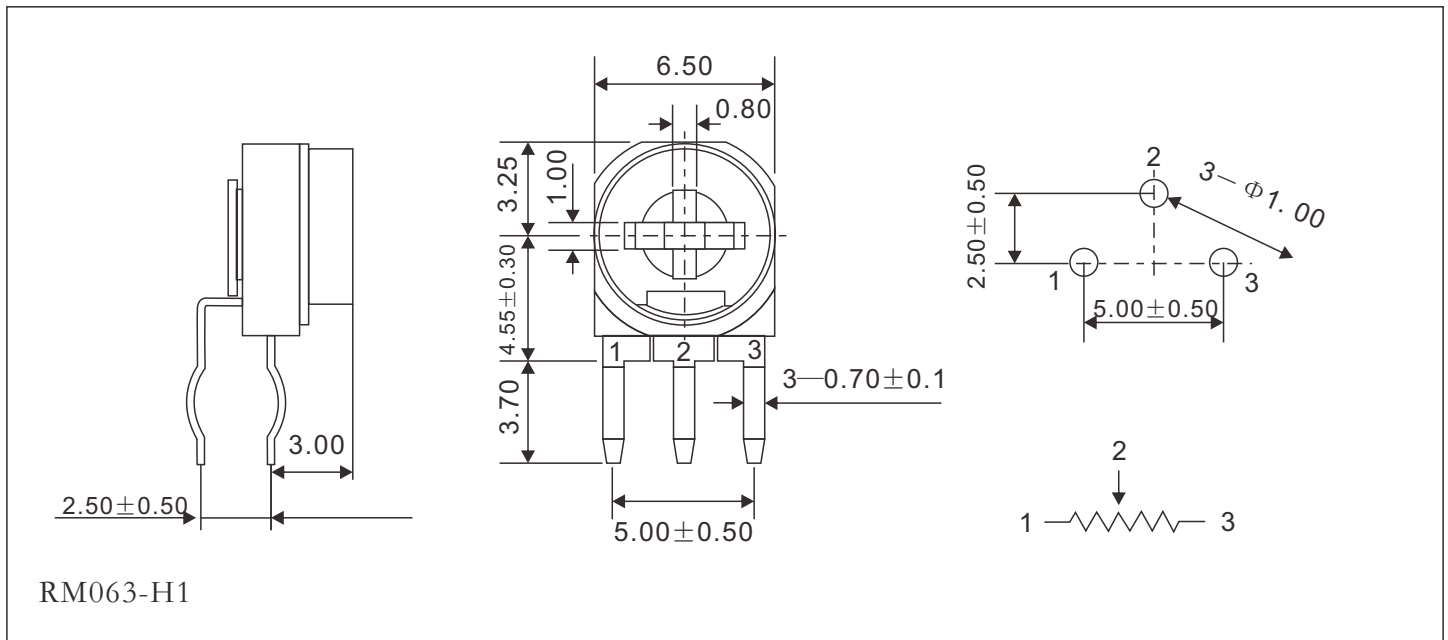


● Feature

Carbon film adjustable resistor adopts the technology of high temperature vacuum coating to make the carbon attached tightly to the surface of the ceramic rod, so the value of the resistance can be adjusted by humankind, so that is can meet the need of circuit. We have two types of this kind: the vertical adjustable type and the horizontal adjustable type, The main parts and the features of the two types are of the same, except for the point and direction of the leads are different. RM063-V1 is the horizontal type carbon film adjustable resistor and the RM063-H1 is the vertical type carbon film adjustable resistor, which are widely used in electric cooker, induction cooker, household appliance, security and protection area and other industries. The resistance tolerance is $\pm 20\%$.



● Dimension



● Performance

Part materid	Knob	PBT+ABS, color: white
	Pedestal	POM, color: blue
	Stopper ring	SOCC steel belt, surface : plate nickel
	Eelding ends	SOCC steel belt, surface : tin-plate
	Resistance chips	Phenolic cardboard printed, Color is brown-black
Mechanical characteristic	Rotate angle	200° ±20°
	Turning moment	60~150g.cm
	Stop strength	>500g.cm
	Mechanical strength	Resistor can hold the pressure of 1Kg and is not blouout
Electrical features	Resistance range	100Ω~2MΩ
	Resistance tolerance	±20%
	Resistance changes characteristics	B
	Max operating voltage	50V
	Rated power	0.1W
	Residual resistance	≤5% nominal resistance , max≤30Ω
	Rotated life	No load rotate 100 ,max variation of the resistor is ±15%
	Load life	Load rated power 3H, max variation of resistance ±5%

● Ordering Information

Example

RM063-H1	01	100R0	J
(1)	(2)	(3)	(4)
Product Name	Power Rating	Resistance Value	Resistance Tolerance

(1)Type:RM063-H1,RM065-V1

(2)Power Rating:01=0.1W

(3)Resistance Value: 0R100=0.1Ω,0R220=0.22Ω,100R0=100Ω,10K00=10KΩ

(4)Resistance Tolerance :M= ±20%