



● Features

Model name: 96 type AC ammeter
 Product category: pointer type-96 series
 Product model : SD-96AC A
 Precision grade:1.5(Above 60A shoot-through is 2.5)
 Specification: 0.5A, 1A, 1.5A ,3A ,5A ,7.5A, 10A ,15A, 20A, 25A ,30A, 40A,50A ,60A ,80A ,100A, more than 100A,
 Outside connect secondary circuit with current transformer of 5A or 1A

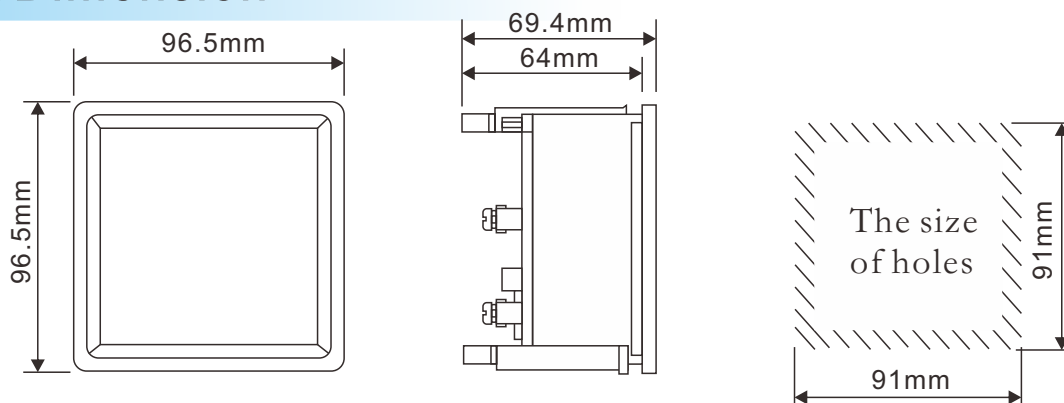


Model name: 96 type max demand meter(double pointers)
 Product category: pointer type-96 series
 Product model: SD-96MD
 Precision grade: 3
 Specification: 8 minutes 1A,15 minutes 1A,30 minutes 1A,8 minutes 5A,15 minutes 5A,30 minutes 5A(put in the same signal, the dial will change freely according to the transformation ratio of the mutual inductor)



Model name: 96 type max demand meter(three pointers)
 Product category: pointer type-96 series
 Product model: SD-96 2MD
 Accuracy grade: 3, instant current meter 1.5
 Specification: 8 minutes 5A,15 minutes 5A,30 minutes 5A,8 minutes 1A,15 minutes 1A,30 minutes 1A(put in the same signal, the dial will change freely according to the transformation ratio of the mutual inductor)

● Dimension

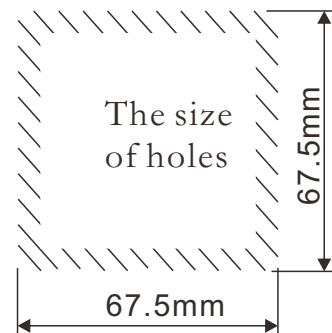
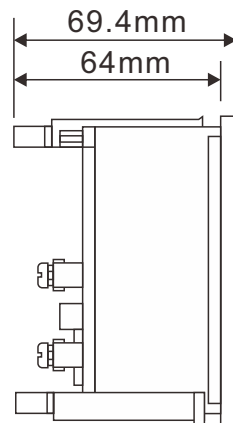
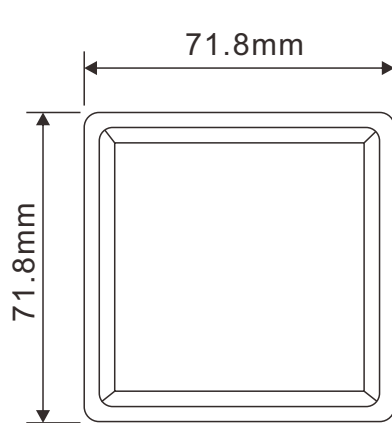




Model name: 72 type DC ammeter
Product category: pointer type-72 series
Product model: SD-72 DC A
Precision grade: 1.5
Specification: 50uA ,100uA, 150uA, 500uA, 1mA, 2mA ,5mA, 10mA ,20mA ,30mA, 50mA ,75mA, 100mA ,150mA ,200mA, 250mA, 300mA ,500mA ,1A, 2A, 3A, 7.5A ,10A ,20A, 30A, 50A, 60A, more than 60A, Outside connect with external shunts of 50mV , 60mV or 75mV.

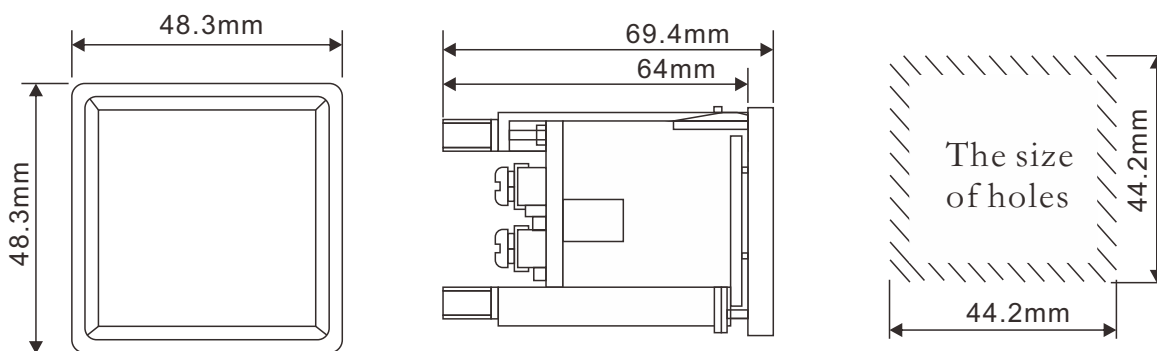


Model name: 72 type max demand meter(double pointers)
Product category: pointer type-72 series
Product model: SD-72 MD
Precision grade: 3
Specification: 8 minutes 5A,15 minutes 5A,30 minutes 5A,8 minutes 1A,15 minutes 1A,30 minutes 1A(put in the same signal, the dial will change freely according to the transformation ratio of the mutual inductor, precision remains the same)

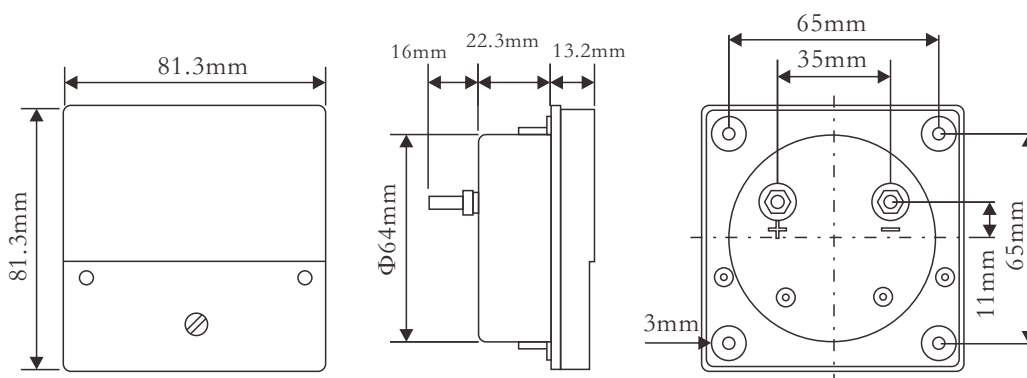




Model name: 48 type DC ammeter
 Product category: pointer type-48 series
 Product model: SD-48 DC A
 Precision grade: 2.5
 Specification: 100uA, 150uA, 500uA, 1mA, 2mA, 5mA, 10mA, 20mA, 30mA, 50mA, 75mA, 100mA, 1A, 2A, 3A, 7.5A, 10A, 20A, 30A, 50A, more than 50A, Outside connect with external shunts of 50mV, 60mV or 75mV.



Model name: 80 type DC ammeter
 Product category: pointer type-80 series
 Product model: SD-80 DC A
 Precision grade: 2.5
 Specification: 50uA, 100uA, 150uA, 500uA, 1mA, 2mA, 5mA, 10mA, 20mA, 30mA, 50mA, 75mA, 100mA, 150mA, 200mA, 250mA, 300mA, 500mA, 1A, 2A, 3A, 7.5A, 10A, 20A, 30A, 50A, more than 50A, Outside connect with external shunts of 50mV, 60mV or 75mV.





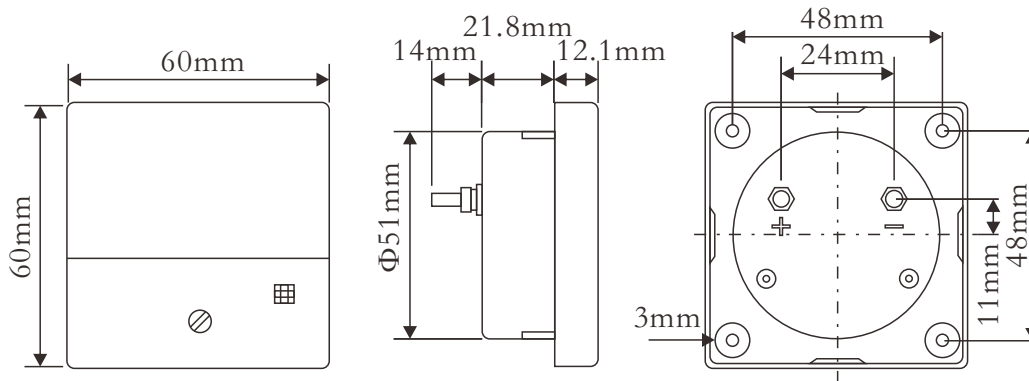
Model name: 60 type DC ammeter

Product category: pointer type-60 series

Product model: SD-60 DC A

Precision grade: 2.5

Specification: 50uA ,100uA ,150uA ,500uA ,1mA ,2mA ,5mA ,10mA ,20mA ,30mA ,50mA ,75mA ,100mA ,150mA ,200mA ,250mA ,300mA ,500mA ,1A ,2A ,3A ,7.5A ,10A ,20A ,30A ,50A , more than 50A, Outside connect with external shunts of 50mV , 60mV or 75mV.



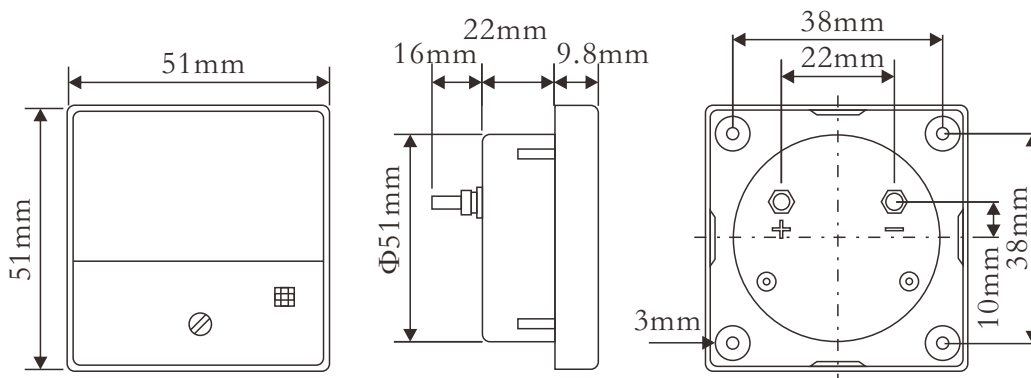
Model name: 50 type DC ammeter

Product category: pointer type-50 series

Product model: SD-50 DC A

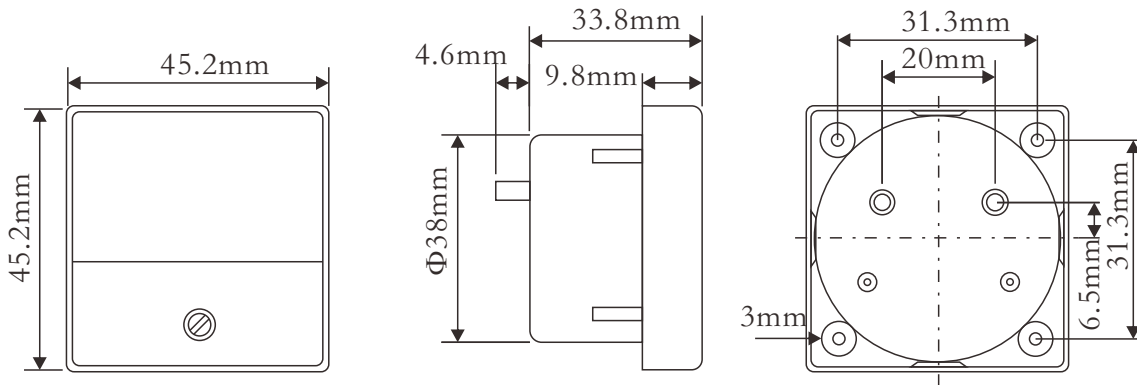
Precision grade: 2.5

Specification: 50uA ,100uA ,150uA ,500uA ,1mA ,2mA ,5mA ,10mA ,20mA ,30mA ,50mA ,75mA ,100mA ,150mA ,200mA ,250mA ,300mA ,500mA ,1A ,2A ,3A ,7.5A ,10A ,20A ,30A ,50A , more than 50A, Outside connect with external shunts of 50mV , 60mV or 75mV.





Model name: SD45 type DC ammeter
 Product category: pointer type-SD45 series
 Product model: SD-45 DC A
 Precision grade: 2.5
 Specification: 300mA, 500mA, 1A, 2A, 3A, 7.5A, 10A, 20A, 30A, more than 30A, Outside connect with external shunts of 50mV, 60mV or 75mV.



● Ordering Information

Example:

SD	96	DC	10A
(1)	(2)	(3)	(4)
Series Name	Size	Style	Current

- (1) Series Name: SD
- (2) Size: 96, 80, 72, 60, 50, 48, 45
- (3) Style: AC, DC, MD
- (4) Current: 50uA, 1mA, 5A, 10A, 100A, ...