



● Features

Model name: 96 type AC voltmeter

Product category: pointer type-96 series

Product model: SD-96AC V

1. Precision grade: 1.5
2. Specification: 30V 50V 75V 100V 120V 150V 200V 250V 450V 500V 600V, more than 600V, Outside connect secondary with voltage transformer of 100V



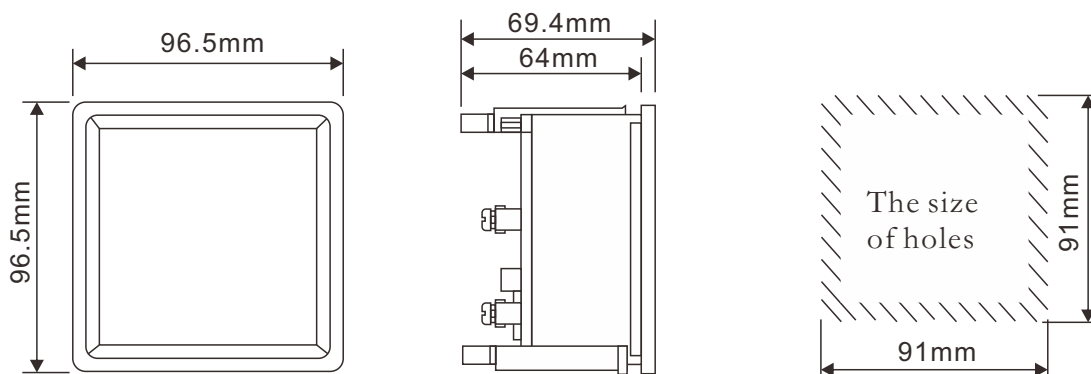
Model name: 96 type AC voltmeter with switch

Product category: pointer type-96 series

Product model: SD-96 S AC V

1. Precision grade: 1.5
2. Specification: 30V 50V 75V 100V 120V 150V 200V 250V 450V 500V 600V, more than 600V, Outside connect secondary with voltage transformer of 100V.
3. Three-phase four-wire system to measure the gears: L3-N, L2-N, L1-N, L1-L2, L2-L3, L3-L1

● Dimension



● Ordering Information

Example:

SD	96	S	DC	10V
(1)	(2)	(3)	(4)	(5)
Series Name	Size	Special codes	Style	Voltage

(1) Series Name: SD

(2) Size: 96, 80, 72, 60, 50, 48, 45

(3) Special codes: S=Switch

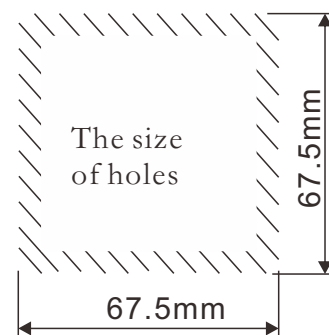
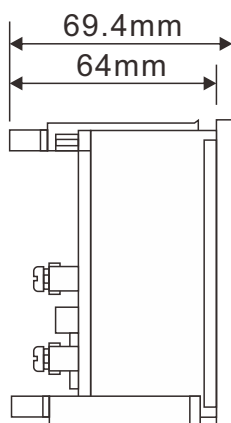
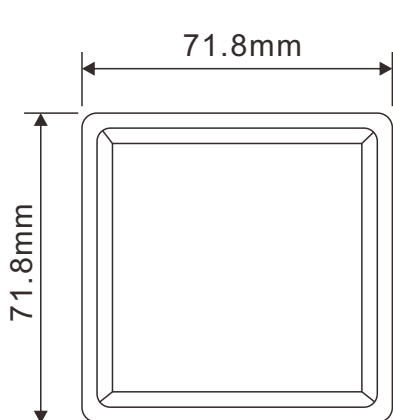
(4) Style: AC, DC

(5) Voltage: 50uV, 1mV, 5V, 10V, 100V, ...



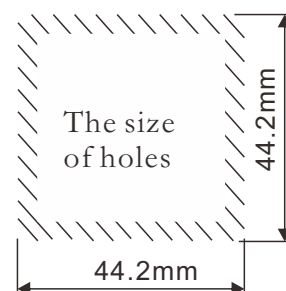
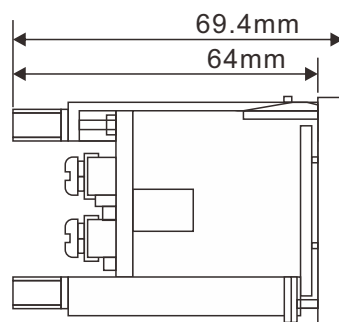
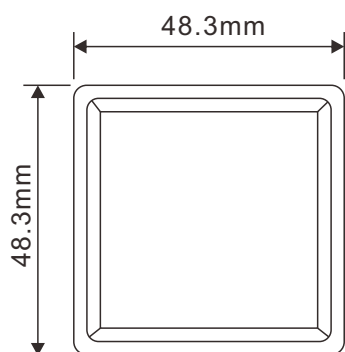
Model name: 72 type DC voltmeter
 Product category: pointer type-72 series
 Product model: SD-72 DC V

- 1. Precision grade: 1.5
- 2. Specification: 50mV 60mV 75mV 100mV 3V 5V 7.5V 10V 15V 20V 30V 50V 75V 100V 120V 150V 200V 250V 300V 400V 450V 500V 600V, more than 600V, match with fixed value resistor (Rated current 5mA)



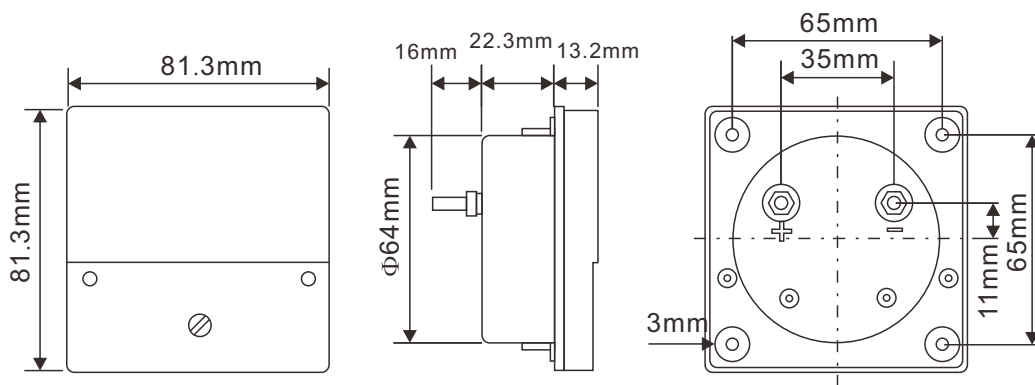
Model name: 48 type DC voltmeter
 Product category: pointer type-48 series
 Product model: SD-48 DC V

- Precision grade: 2.5
- Specification: 50mV 60mV 75mV 100mV 3V 5V 7.5V 10V 15V 20V 30V 50V 75V 100V 120V 150V 200V 250V 300V 400V 450V 500V 600V, more than 600V, match with fixed value resistor (Rated current 5mA)

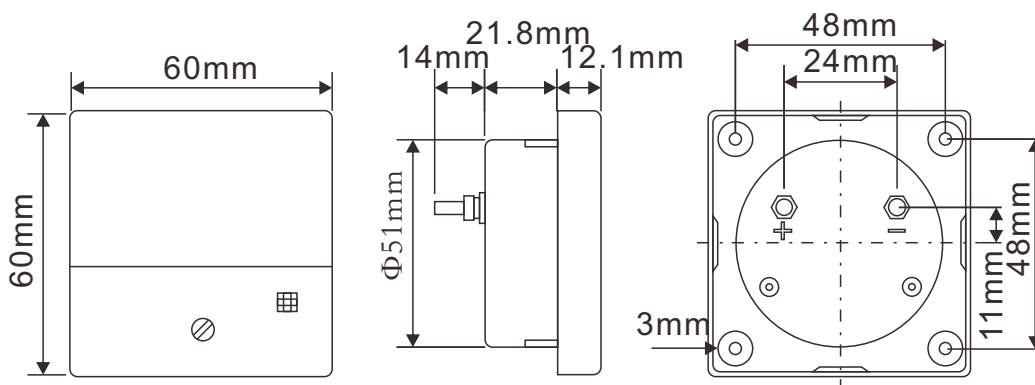




Model name: 80 type DC voltmeter
 Product category: pointer type-80 series
 Product model: SD-80 DC V
 Precision grade: 2.5
 Specification: 50mV 60mV 75mV 100mV 3V 5V 7.5V 10V 15V 20V 30V 50V 75V 100V 120V 150V 200V 250V 300V 400V 450V 500V 600V, more than 600V, match with fixed value resistor (Rated current 5mA)



Model name: 60 type DC voltmeter
 Product category: pointer type-60 series
 Product model: SD-60 DC V
 Precision grade: 2.5
 Specification: 50mV 60mV 75mV 100mV 3V 5V 7.5V 10V 15V 20V 30V 50V 75V 100V 120V 150V 200V 250V 300V 400V 450V 500V 600V, more than 600V, match with fixed value resistor (Rated current 5mA)





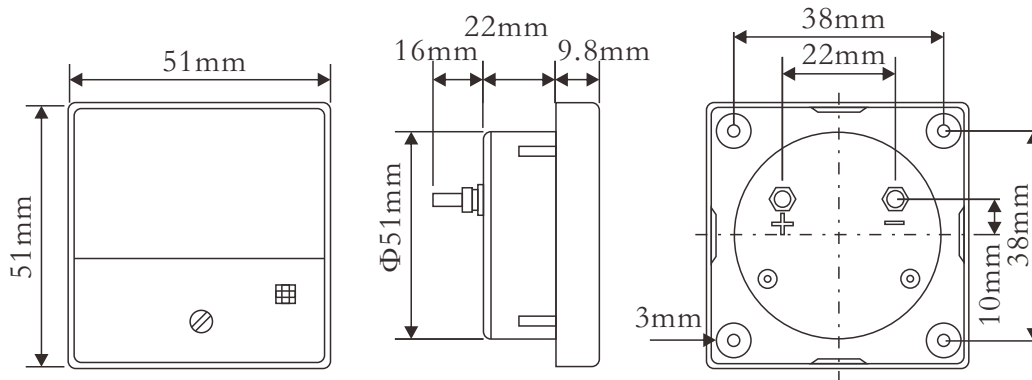
Model name: 50 type DC voltmeter

Product category: pointer type-50 series

Product model: SD-50 DC V

Precision grade: 2.5

Specification: 50mV 60mV 75mV 100mV 3V 5V 7.5V 10V 15V 20V 30V 50V 75V 100V 120V 150V 200V 250V 300V 400V 450V 500V 600V, more than 600V, match with fixed value resistor (Rated current 5mA)



Model name: 45 type DC voltmeter

Product category: pointer type-60 series

Product model: SD-45 DC V

Precision grade: 2.5

Specification: 50mV 60mV 75mV 100mV 3V 5V 7.5V 10V 15V 20V 30V 50V 75V 100V 120V 150V 200V 250V 300V 400V 450V 500V 600V, more than 600V, match with fixed value resistor (Rated current 5mA)

