



● Features

Model name: 96 pointer type frequency meter
 Product category: pointer type-96 series
 Product model: SD-96Hz
 Precision grade: 0.5 or 1.0
 Voltage: 110V, 220V, 380V, 415V, 440V
 Frequency: 45-55Hz, 45-65Hz, 55-65Hz, 47-53Hz,
 57-63Hz, 450-550Hz, 450-650Hz, 550-650Hz

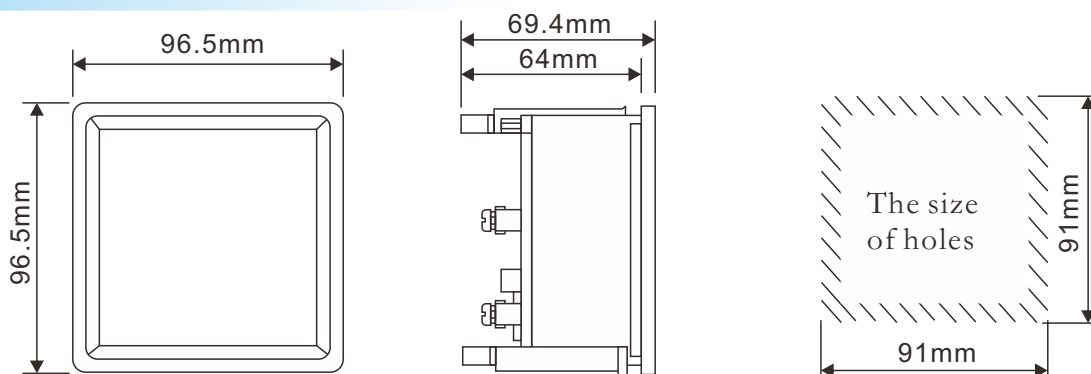


Model name: 96 vibrating-reed type frequency meter
 Product category: pointer type-96 series
 Product model: SD-96Hz
 Precision grade: 1.0
 Voltage: 110V, 220V, 380V, 415V, 440V
 Frequency: 45-55Hz, 45-65Hz, 55-65Hz, 47-53Hz,
 57-63Hz



Model name: 96 240° type Frequency meter
 Product category: pointer type-96 series
 Product model: SD-96 L Hz
 Precision grade: 1.0
 Voltage: 110V, 220V, 380V, 415V, 440V
 Frequency: 45-55Hz, 45-65Hz, 55-65Hz, 47-53Hz,
 57-63Hz, 450-550Hz, 450-650Hz, 550-650Hz

● Dimension





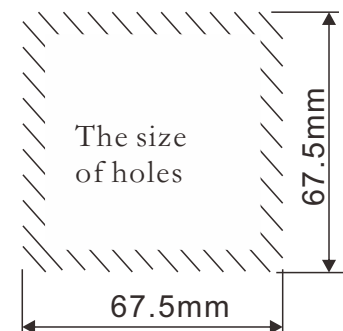
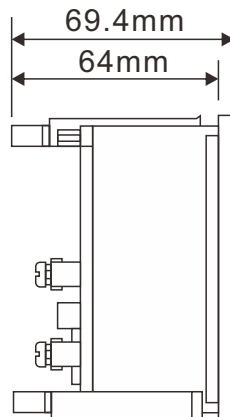
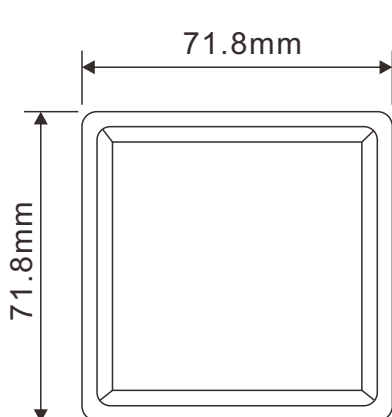
Model name: 72 pointer type frequency meter
 Product category: pointer type-72 series
 Product model: SD-72Hz
 Precision grade: 0.5 or 1.0
 Voltage: 110V, 220V, 380V, 415V, 440V
 Frequency: 45-55Hz, 45-65Hz, 55-65Hz, 47-53Hz, 57-63Hz, 450-550Hz, 450-650Hz, 550-650Hz



Model name: 72 vibrating-reed type frequency meter
 Product category: pointer type-72 series
 Product model: SD-72Hz
 Precision grade: 1.0
 Voltage: 110V, 220V, 380V, 415V, 440V
 Frequency: 45-55Hz, 45-65Hz, 55-65Hz, 47-53Hz, 57-63Hz

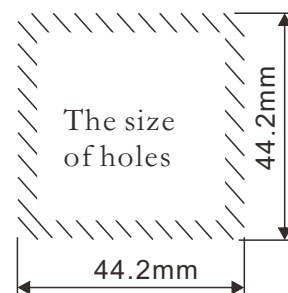
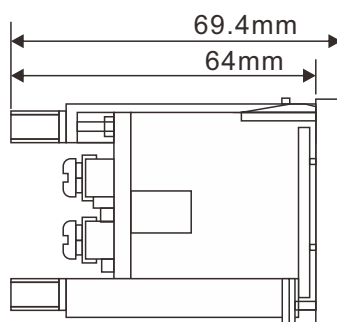
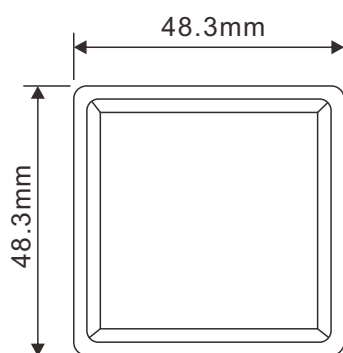


Model name: 72 240° type Frequency meter
 Product category: pointer type-72 series
 Product model: SD-72 L Hz
 Precision grade: 1.0
 Voltage: 110V, 220V, 380V, 415V, 440V
 Frequency: 45-55Hz, 45-65Hz, 55-65Hz, 47-53Hz, 57-63Hz, 450-550Hz, 450-650Hz, 550-650Hz





Model name: 48 pointer type frequency meter
 Product category: pointer type-48 series
 Product model: SD-48Hz
 Precision grade: 2.5
 Voltage: 110V, 220V, 380V, 415V, 440V
 Frequency: 45-55Hz, 45-65Hz, 55-65Hz, 47-53Hz,
 57-63Hz, 450-550Hz, 450-650Hz, 550-650Hz



● Ordering Information

Example:

SD	96	220V	55-65Hz	2.5
(1)	(2)	(3)	(4)	(5)
Series Name	Size	Voltage	Frequency	Tolerance

(1)Series Name:SD

(2)Size: 96,80,72,60,50,48,45

(3)Voltage: 110V,220V,380V,415V,440V,……

(4)Frequency:45-55Hzm45-65Hz,55-65Hz,47-53Hz,57-63Hz,450-550Hz,450-650Hz,550-650Hz

(5)Tolerance:0.5,1.0,2.5