

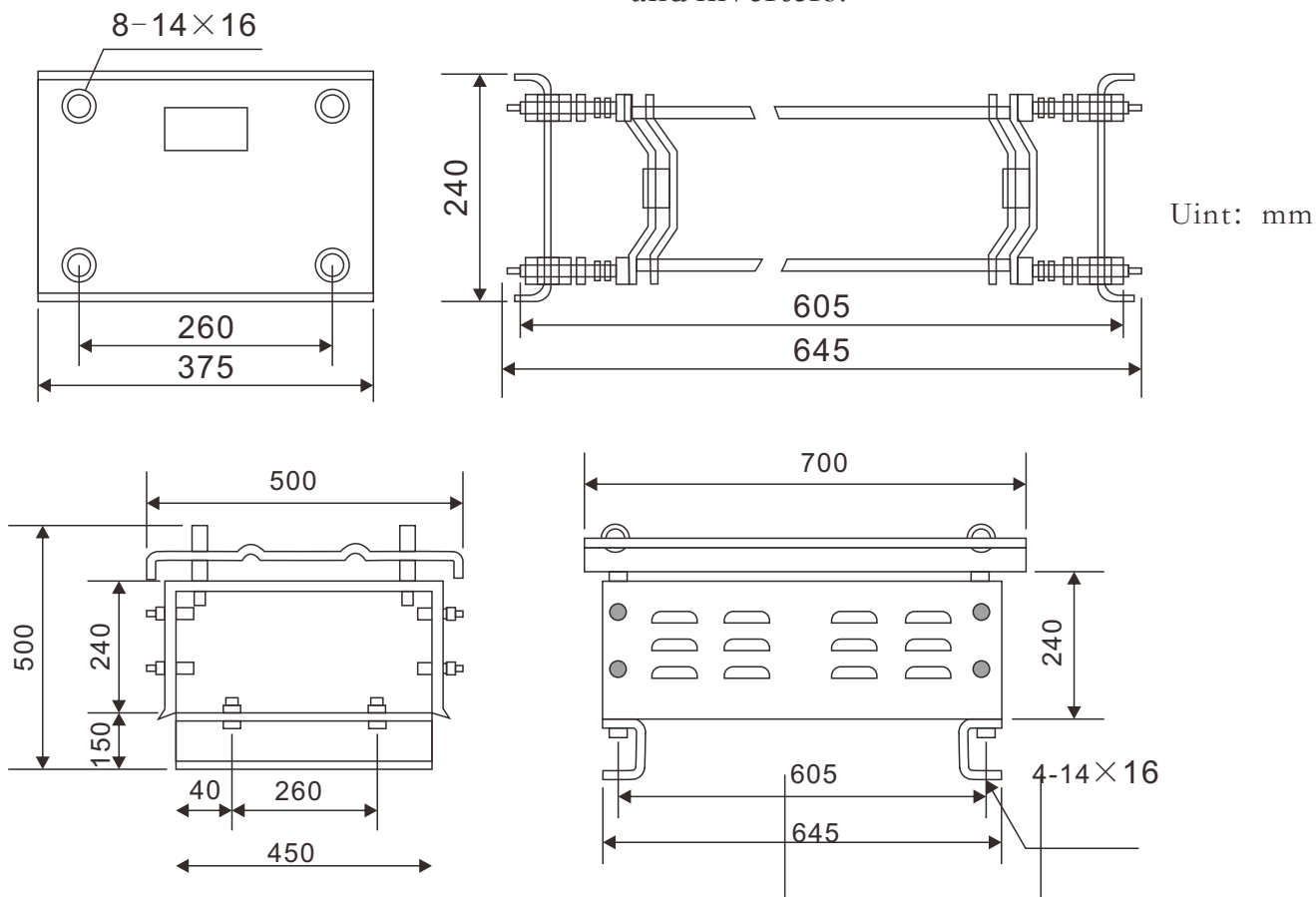
● Features

- I A combination of ZC stainless steel resistor discs providing corrosion resistance, zero induction, stable resistance and long service life
- II Service temperature range: $-55^{\circ}\text{C} \sim +315^{\circ}\text{C}$
- III Rated power: $5\text{KW} \sim 5.6\text{KW}$
- IV Admissible resistance deviation : $\pm 10\%$

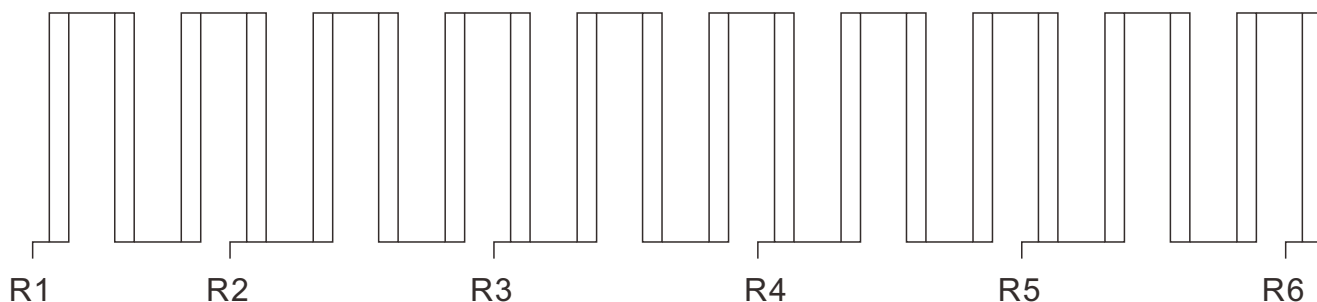
● Applications

Suitable for circuits of power systems with AC voltage within 1140V and DC voltage within 1500V. Used mostly for startup, braking, speed control and load of elevators, cranes, port machines, roll mills, windlasses, power generators and inverters.

● Dimensions



● Wiring Diagrams



● Applications And Ratings

No.	Model	Rated current (A)	Heating time constant (S)	Total resistance (Ω)	Resistor resistance(Ω)					Composition resistance	
					Resistance levels					Model	Qty
					1	2	3	4	5		
1	ZX28-0.1	237	300	0.1	0.02	0.02	0.02	0.02	0.02	ZC-1-1	20
2	ZX28-0.14	200	215	0.14	0.028	0.028	0.028	0.028	0.028	ZC-1-2	20
3	ZX28-0.2	167	225	0.2	0.04	0.04	0.04	0.04	0.04	ZC-1-3	20
4	ZX28-0.28	141	235	0.28	0.056	0.056	0.056	0.056	0.056	ZC-1-4	20
5	ZX28-0.4	118	246	0.4	0.08	0.08	0.08	0.08	0.08	ZC-1-5	20
6	ZX28-0.56	100	205	0.56	0.112	0.112	0.112	0.112	0.112	ZC-1-6	20
7	ZX28-0.8	84	233	0.8	0.16	0.16	0.16	0.16	0.16	ZC-1-7	20
8	ZX28-1.1	71	197	1.1	0.22	0.22	0.22	0.22	0.22	ZC-1-8	20
9	ZX28-1.6	59	166	1.6	0.32	0.32	0.32	0.32	0.32	ZC-1-9	20
10	ZX28-2.2	50	202	2.2	0.44	0.44	0.44	0.44	0.44	ZC-2-1	20
11	ZX28-3	43	200	3	0.6	0.6	0.6	0.6	0.6	ZC-2-2	20
12	ZX28-4.2	37	185	4.2	0.84	0.84	0.84	0.84	0.84	ZC-2-3	20
13	ZX28-5.6	32	175	5.6	1.12	1.12	1.12	1.12	1.12	ZC-2-4	20
14	ZX28-8	27	179	8	1.6	1.6	1.6	1.6	1.6	ZC-2-5	20
15	ZX28-11	23	110	11	2.2	2.2	2.2	2.2	2.2	ZC-2-6	20
16	ZX28-16	19	90	16	3.2	3.2	3.2	3.2	3.2	ZC-2-7	20
17	ZX28-2	53	175	2	0.4	0.4	0.4	0.4	0.4	ZC-3-1	20
18	ZX28-2.5	47	155	2.5	0.5	0.5	0.5	0.5	0.5	ZC-3-2	20
19	ZX28-3.3	41	134	3.3	0.66	0.66	0.66	0.66	0.66	ZC-3-3	20
20	ZX28-4	37	120	4	0.8	0.8	0.8	0.8	0.8	ZC-3-4	20
21	ZX28-5	34	95	5	1	1	1	1	1	ZC-3-5	20
22	ZX28-6.6	29	85	6.6	1.32	1.32	1.32	1.32	1.32	ZC-3-6	20
23	ZX28-7	28	160	7	1.4	1.4	1.4	1.4	1.4	ZC-3-7	20
24	ZX28-9	25	120	9	1.8	1.8	1.8	1.8	1.8	ZC-3-8	20
25	ZX28-11	23	105	11	2.2	2.2	2.2	2.2	2.2	ZC-3-9	20
26	ZX28-14.5	20	82	14.5	2.9	2.9	2.9	2.9	2.9	ZC-3-10	20
27	ZX28-19.5	17	90	19.5	3.9	3.9	3.9	3.9	3.9	ZC-3-11	20
28	ZX28-28	14	152	28	5.6	5.6	5.6	5.6	5.6	ZC-3-12	20
29	ZX28-35	13	118	35	7	7	7	7	7	ZC-3-13	20
30	ZX28-44	11	104	44	8.8	8.8	8.8	8.8	8.8	ZC-3-14	20
31	ZX28-58	9.8	80	58	11.6	11.6	11.6	11.6	11.6	ZC-3-15	20
32	ZX28-80	8.4	119	80	16	16	16	16	16	ZC-3-16	20

● Ordering Information

ZX28	50A	K	0.56
(1)	(2)	(3)	(4)
Type	Rated current	Tolerance	Resistance

(1)Type: ZX28

(2)Rated current: 50A, 100A, 200A,……

(3)Tolerance: K=±10%

(4)Resistance: 0.1Ω, 0.14Ω, 0.2Ω, 0.28Ω, 0.4Ω, 0.56Ω,……,44Ω, 58Ω, 80Ω