



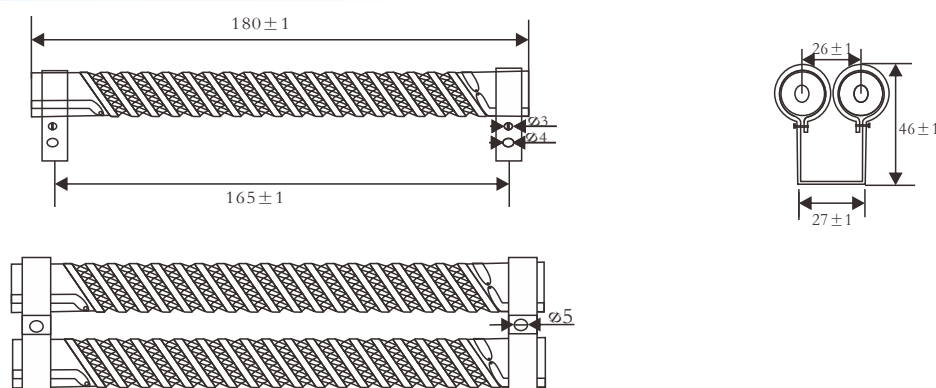
● Features

Resistance box is made of alloy resistance wire which is winding on a porcelain tube. Braking resistor is a carrier that makes the renewable energy of the machine consumption in the way of heat

● Applications

As a braking resistor to protect inverter, servo, etc from the dangers of the motor power; As a impedance load to test power electronic load; As a sampling resistor, current limiting resistor, starting resistance, protect the resistance in power electronic equipment

● Construction



● Power And Resistance etc

Type	Power(w)	Resistance range(Ω)	Tolerance range
RXF20	200-600	1 Ω ~10K Ω	J = $\pm 5\%$ K = $\pm 10\%$

● Performance

Test Items	Specifications	Test method
		SJ1330-78
Terminal tensile strength	$\Delta R \leq \pm (1\%R + 0.05\Omega)$	2.5.1
Vibratious	$\Delta R \leq \pm (1\%R + 0.05\Omega)$	2.8
Surface Temperature Rise	Resistor surface temperature is less than 275 $^{\circ}$ C	2.11
Short-time overload	$\Delta R \leq \pm (2\%R + 0.05\Omega)$	2.12
Insulation	大于 20M Ω /CM ₂	2.13
Temperature cycle	$\Delta R \leq \pm (2\%R + 0.05\Omega)$	2.16
Dampheat, steady state	$\Delta R \leq \pm (2\%R + 0.05\Omega)$	2.17
Load life	$\Delta R \leq \pm (5\%R + 0.1\Omega)$	2.18

Ordering Information

example

RXF20	W	J	R100
Product Name	Power	Tol	Resistance Value(Ω)
RXF20 High Power Discharge Resistors	200-600	J = $\pm 5\%$ K = $\pm 10\%$	1R00 = 1Ω 10R0 = 10Ω 1000 = 100Ω