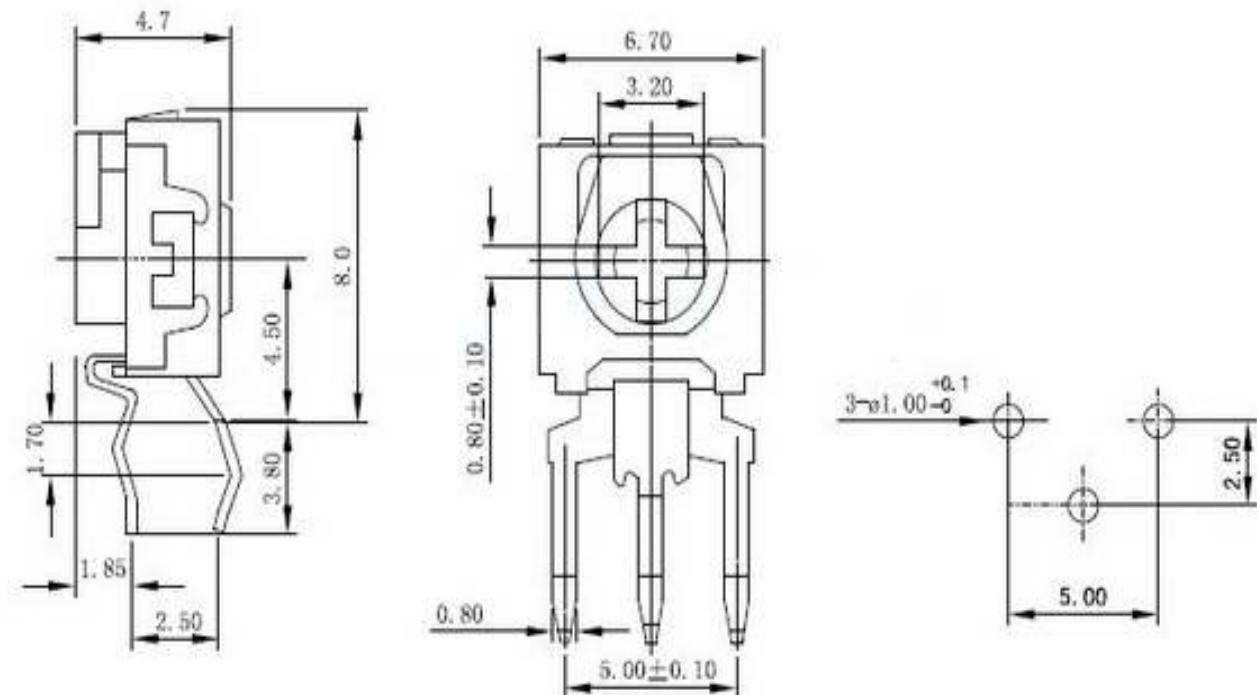




## Applications

You can use it in the household appliances and electric security. Such as TV, induction cooker, rice cooker etc

## Dimensions



## Ordering Information

Example

RM065-H5	0.1	N	10R00	A
(1)	(2)	(3)	(4)	(5)
Series Name	Power Rating	Resistance Tolerance	Resistance	packing

(1)Type: RM065-H5 SERIES

(2)Power Rating: 0.1=0.1W

(3)Tolerance: M $\pm$ 20%,N $\pm$ 30%

(4)Resistance Value: 0R100=0.1 $\Omega$ ,0R220=0.22 $\Omega$ ,10R00=10K $\Omega$ ,1M000=1M $\Omega$

(5)packing:Blk Bulk

## Reference Standards

JIS C 5201-1

## ● Applications And Ratings

Type	Rated Power(W)	MaxWorking Voltage(V)	Resistance Range( $\Omega$ )	TCR(PPM/ $^{\circ}$ C)	Tolerance Range	Operating Temperature
RM065-H5	0.1	50V Max	1K~2M	$\pm 250$ ppm/ $^{\circ}$ C	$\pm 20\%$ $\pm 30\%$	-40 $^{\circ}$ C -125 $^{\circ}$ C

## ● Performance

Resistance Range( $\Omega$ ) :	1K~2M
Tolerance:	$\pm 20\%$ 1M $\Omega$ < R > 500 $\Omega$ $\pm 30\%$ 1M $\Omega$ > R < 500 $\Omega$
Characteristics of the resistance change	B
MaxWorking Voltage(V):	50V Max
Rated Power:	0.1W
Rotational noise:	$\leq 5\%$
Residual resistance :	R $\leq 2$ k $\Omega$ , 20 $\Omega$ max R > 2k $\Omega$ , 2%R max
Rotational life:	R $\leq 15\%$ Max. for 100 cycles
Rotational angel :	210 $^{\circ}$ $\pm 10^{\circ}$
Starting torque:	2~15mN.m
Shaft stopper strength:	0.5Kgf.cm Max