



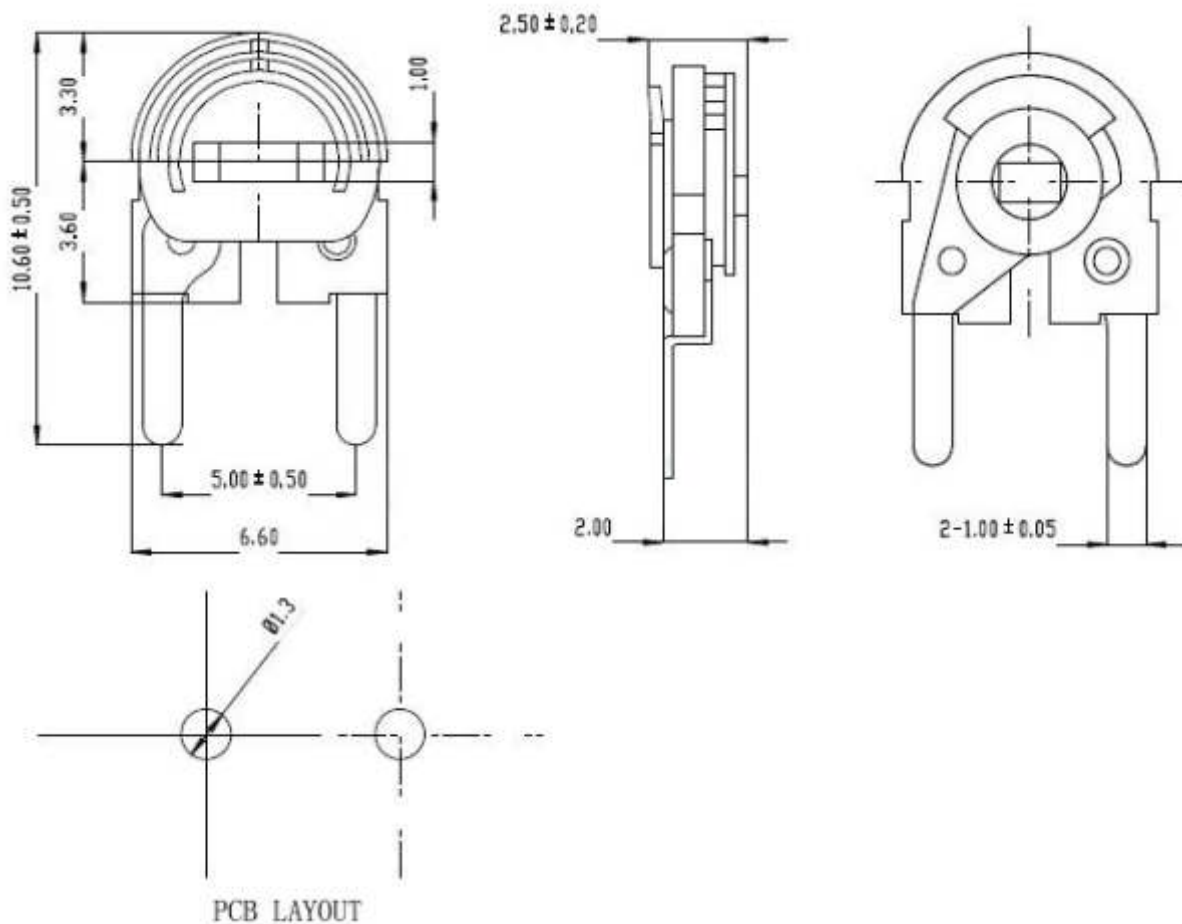
● Feature

Adjustable resistor RM065C-H2 with iron case carbon film material, 6mm diameter, which is also be called vertical $\phi 6$ adjustable resistor, 6mm carbon film adjustable resistor. (with the lead pitch 5*5), turning point on the top and the adjustable resistance range is 100 Ω -2M Ω

● Applications

RM065C-H2 is widely used in the household appliance, instruments, communication products and electric security area.

● Dimensions



● Applications And Ratings

Type	Rated Power(W)	MaxWorking Voltage(V)	Resistance Range(Ω)	TCR(PPM/ $^{\circ}$ C)	Tolerance Range	Operating Temperature
RM065C-H2	0.1	AC50V	100~2M	± 250 ppm/ $^{\circ}$ C	$\pm 20\%$ $\pm 30\%$	-40 $^{\circ}$ C -125 $^{\circ}$ C

Reference Standards

JIS C 5201-1

Ordering Information

Example

RM065C-H2	0.1	N	1KR00	A
(1)	(2)	(3)	(4)	(5)
Series Name	Power Rating	Resistance Tolerance	Resistance	packing

(1)Type: RM065C-H2 SERIES

(2)Power Rating: 0.1=0.1W

(3)Tolerance: M \pm 20%,N \pm 30%

(4)Resistance Value: 0R100=0.1 Ω ,0R220=0.22 Ω ,10R00=10K Ω ,1M000=1M Ω

(5)packing:Blk Bulk

Performance

Resistance Range(Ω) :	1K~2M
Tolerance:	\pm 20% 1M Ω <R>500 Ω \pm 30% 1M Ω >R<500 Ω
Characteristics of the resistance change	B
MaxWorking Voltage(V):	50V Max
Rated Power:	0.1W
Rotational noise:	\leq 5%
Residual resistance :	R \leq 2k Ω , 20 Ω max R > 2k Ω , 2%R max
Rotational life:	R \leq 15% Max. for 100 cycles
Rotational angel :	210° \pm 10°
Starting torque:	2~15mN.m
Shaft stopper strength:	0.5Kgf.cm Max