



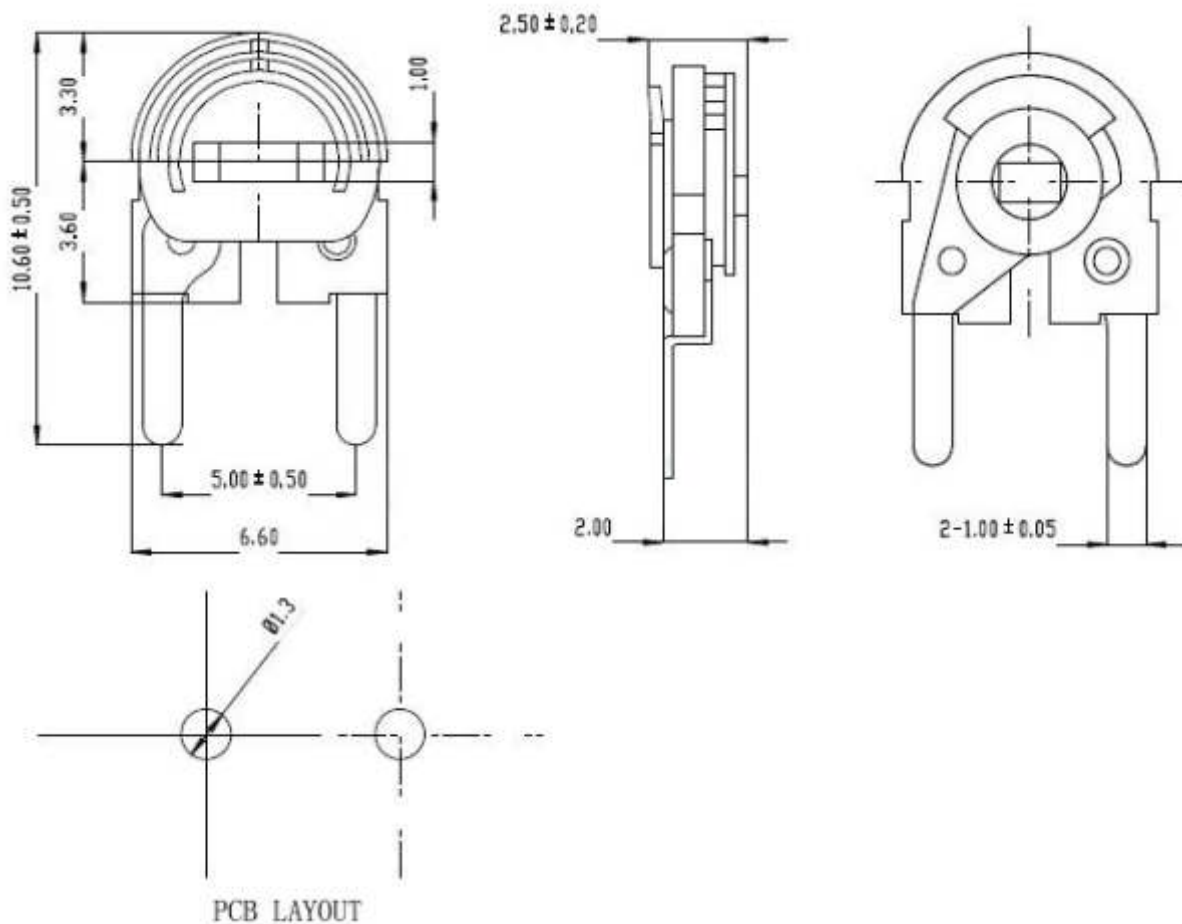
Feature

Adjustable resistor RM065C-V2 with iron case carbon film material, 6mm diameter, which is also be called vertical $\phi 6$ adjustable resistor, 6mm carbon film adjustable resistor. (with the lead pitch 5*5), turning point on the top and the adjustable resistance range is 100 Ω -2M Ω

Applications

RM065C-V2 is widely used in the household appliance, instruments, communication products and electric security area.

Dimensions



Applications And Ratings

Type	Rated Power(W)	MaxWorking Voltage(V)	Resistance Range(Ω)	TCR(PPM/ $^{\circ}$ C)	Tolerance Range	Operating Temperature
RM065C-V2	0.1	AC50V	100~2M	± 250 ppm/ $^{\circ}$ C	$\pm 20\%$ $\pm 30\%$	-40 $^{\circ}$ C -125 $^{\circ}$ C

Reference Standards

JIS C 5201-1

Ordering Information

Example

RM065C-V2	0.1	N	10R00	A
(1)	(2)	(3)	(4)	(5)
Series Name	Power Rating	Resistance Tolerance	Resistance	packing

(1)Type: RM065C-V2 SERIES

(2)Power Rating: 0.1=0.1W

(3)Tolerance: M \pm 20%,N \pm 30%

(4)Resistance Value: 0R100=0.1 Ω ,0R220=0.22 Ω ,10R00=10K Ω ,1M000=1M Ω

(5)packing:Blk Bulk

Performance

Resistance Range(Ω) :	100~2M
Tolerance:	R < 500K Ω : \pm 20% , R \geq 500 Ω : \pm 30%
Characteristics of the resistance change	B
MaxWorking Voltage(V):	AC50V
Rated Power:	0.1W
Rotational noise:	\leq 5%
Residual resistance :	R \leq 1K Ω :30 Ω MAX , R > 1K Ω :3%MAX
Rotational life:	R \leq 15% Max. for 100 cycles
Rotational angel :	210° \pm 20°
Starting torque:	80~150gf.cm
Shaft stopper strength:	0.5Kgf.cm Max