

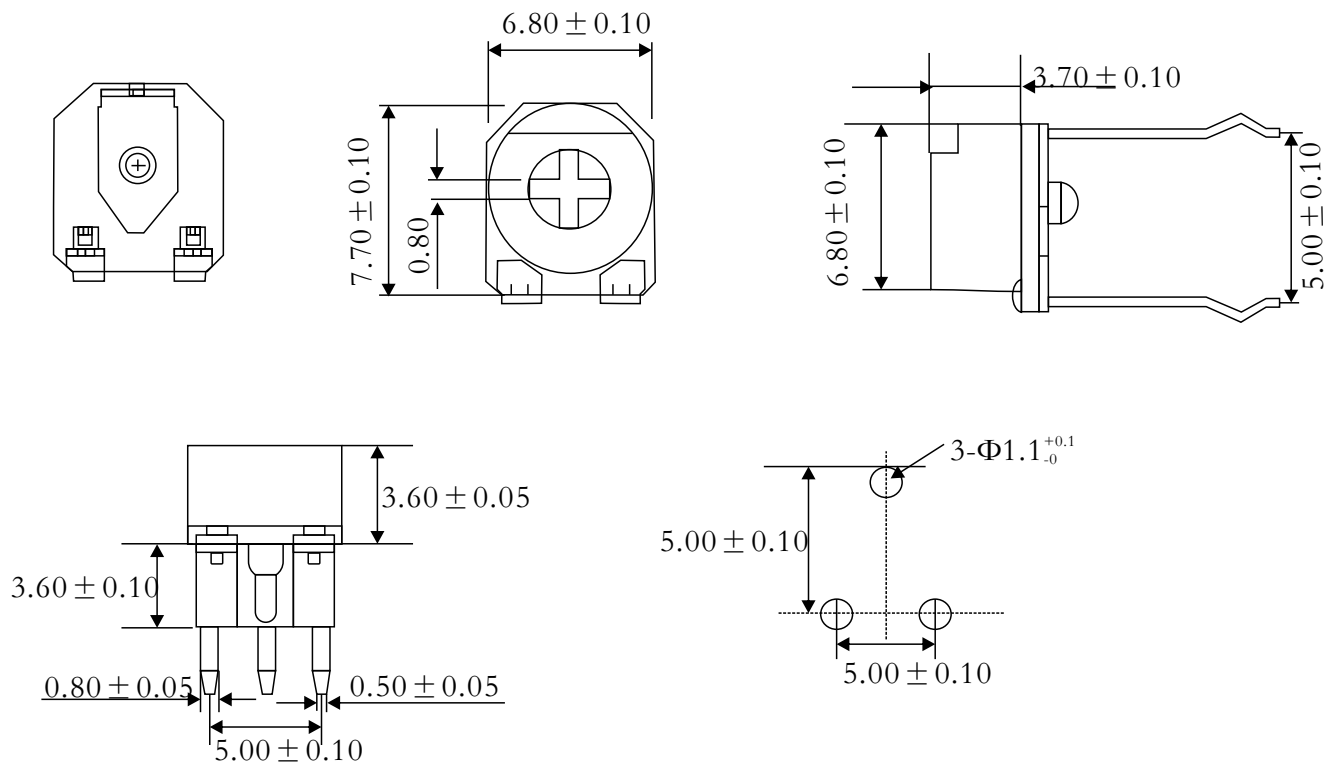
● Feature

RM065G-V4 is ceramic adjustable resistor, with rated power 0.25W and tolerance of 20% and 10% (need to be customized) is without cap three pin horizontal type, with the lead pitch 5*5. which has the unusual resistance of 400K, and has the characteristics of high temperature resistant and moisture proof.

● Applications

Widely used in the security products such as the building talk-back and household electric products.

● Dimensions



● Applications And Ratings

Type	Rated Power(W)	MaxWorking Voltage(V)	Resistance Range(Ω)	TCR(PPM/ $^{\circ}$ C)	Tolerance Range	Operating Temperature
RM065G-V4	0.25	AC30V	100~500K	± 250 PPm/ $^{\circ}$ C	$\pm 20\%$	-40° C - 125° C

Reference Standards

JIS C 5201-1

Ordering Information

Example

RM065G-V4	0.25	M	100KO	A
(1)	(2)	(3)	(4)	(5)
Series Name	Power Rating	Resistance Tolerance	Resistance	packing

(1)Type: RM065G-V4 SERIES

(2)Power Rating: 0.25=0.25W

(3)Tolerance: M \pm 20%

(4)Resistance Value:0R100=0.1 Ω ,0R220=0.22 Ω ,10R00=10K Ω ,1M000=1M Ω

(5)packing:Blk Bulk

Performance

Resistance Range(Ω)	100~500K
Tolerance	\pm 20%
Characteristics of the resistance change	B
MaxWorking Voltage(V)	AC30V
Rated Power	0.25W
Residual resistance	$R \leq 1k\Omega, R01, R03 \leq 10\Omega$ $R > 1k\Omega, R01, R03 < 1\%$
Rotational angel	250° \pm 20°
Starting torque	80~350gf.cm
Shaft stopper strength	0.5Kgf.cm Max