

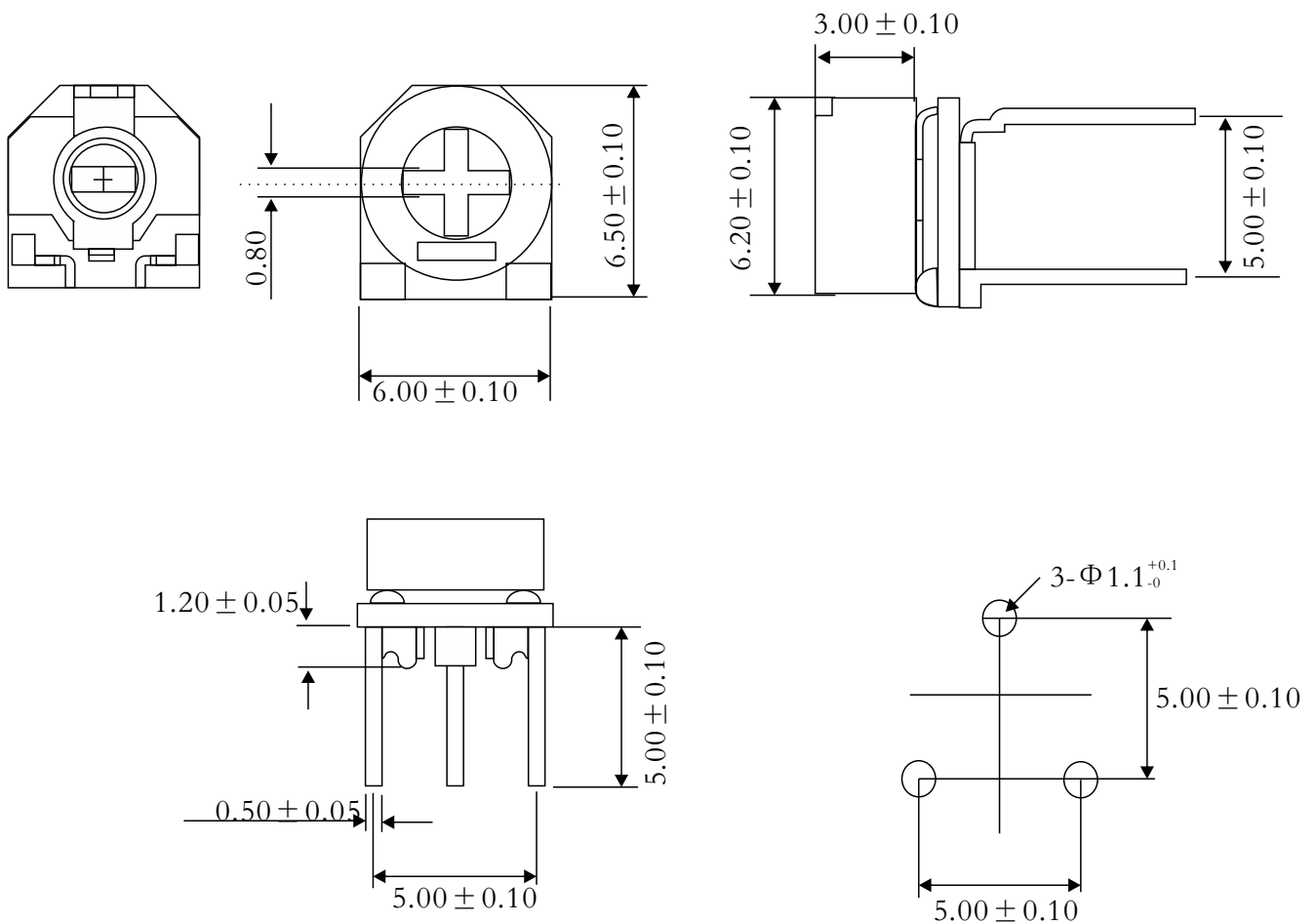
## ● Feature

RM065G-V5 with 6mm cap adjustable resistor, which is made from ceramic material, we can call it 6mm ceramic adjustable resistor or plug-in ceramic adjustable resistor, with the tolerance of 20% and 10% (need to be customized), three pin horizontal type, lead pitch 5\*5 and it has the characteristics of moisture proof.

## ● Applications

Widely used in the security products such as the building talk-back and household electric products.

## ● Dimensions



## ● Applications And Ratings

Type	Rated Power(W)	MaxWorking Voltage(V)	Resistance Range( $\Omega$ )	TCR(PPM/ $^{\circ}$ C)	Tolerance Range	Operating Temperature
RM065G-V5	0.25	AC30V	100~500K	$\pm 250$ PPm/ $^{\circ}$ C $\pm 100$ ppm/ $^{\circ}$ C	$\pm 20\%$	$-40^{\circ}$ C - $125^{\circ}$ C

## Reference Standards

JIS C 5201-1

## Ordering Information

Example

RM065G-V5	0.25	M	10R00	A
(1)	(2)	(3)	(4)	(5)
Series Name	Power Rating	Resistance Tolerance	Resistance	packing

(1)Type: RM065G-V5 SERIES

(2)Power Rating: 0.25=0.25W

(3)Tolerance: M $\pm$ 20%

(4)Resistance Value: 0R100=0.1 $\Omega$ ,0R220=0.22 $\Omega$ ,10R00=10K $\Omega$ ,1M000=1M $\Omega$

(5)packing:Blk Bulk

## Performance

Resistance Range( $\Omega$ )	100~500K
Tolerance	$\pm$ 20%
Characteristics of the resistance change	B
MaxWorking Voltage(V)	50V <sub>Max</sub>
Rated Power	0.25W
Rotational noise	100mV
Residual resistance	R $\leq$ 1k $\Omega$ , r01,r03 $\leq$ 10 $\Omega$ R > 1k $\Omega$ , r01,r03 < 1%R
Rotational angel	250° $\pm$ 20°
Starting torque	80~350gf.cm
Shaft stopper strength	0.5Kgf.cm Max