



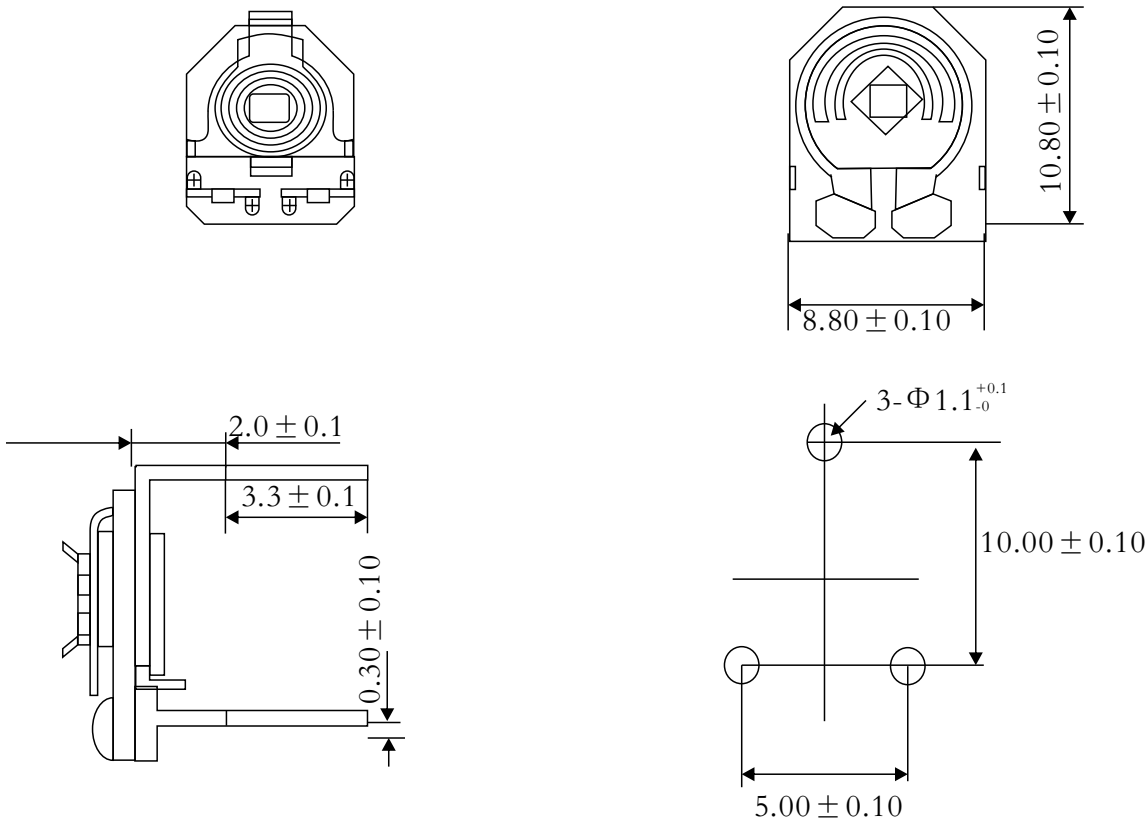
● Feature

- I RM085G-V6 is 8mm diameter ceramic adjustable resistor, with rated power 0.5W and tolerance of 20% and 10% (need to be customized)
- II RM085G-V6 is without cap three pin horizontal type, lead pitch 5*10. which has the characteristics of high temperature resistant and moisture proof.

● Applications

Widely used in the security products such as the building talk-back and household electric products.

● Dimensions



● Applications And Ratings

| Type | Rated Power(W) | MaxWorking Voltage(V) | Resistance Range(Ω) | TCR(PPM/ $^{\circ}$ C) | Tolerance Range | Operating Temperature |
|-----------|----------------|-----------------------|------------------------------|-----------------------------|-----------------|------------------------------------|
| RM085G-V6 | 0.5 | AC30V | 100~4.7M | ± 250 PPm/ $^{\circ}$ C | $\pm 20\%$ | -40 $^{\circ}$ C -125 $^{\circ}$ C |

● Reference Standards

JIS C 5201-1

Ordering Information

Example

| | | | | |
|-------------|--------------|----------------------|------------|---------|
| RM065G-V6 | 0.5 | M | 10R00 | A |
| (1) | (2) | (3) | (4) | (5) |
| Series Name | Power Rating | Resistance Tolerance | Resistance | packing |

(1)Type: RM065G-V6 SERIES

(2)Power Rating: 0.5=0.5W

(3)Tolerance: M \pm 20%

(4)Resistance Value: 0R100=0.1 Ω ,0R220=0.22 Ω ,10R00=10K Ω ,1M000=1M Ω

(5)packing:Blk Bulk

Performance

| | |
|--|---|
| Resistance Range(Ω) | 100~4.7M |
| Tolerance | \pm 20% |
| Characteristics of the resistance change | B |
| MaxWorking Voltage(V) | 30V _{Max} |
| Rated Power | 0.5W |
| Rotational noise | 100mV |
| Residual resistance | $R \leq 1k\Omega, r01, r03 \leq 10\Omega$ $R > 1k\Omega, r01, r03 < 1\%R$ |
| Rotational angel | 240° \pm 20° |
| Starting torque | 5~35mN.m |
| Shaft stopper strength | 50mN.m |