



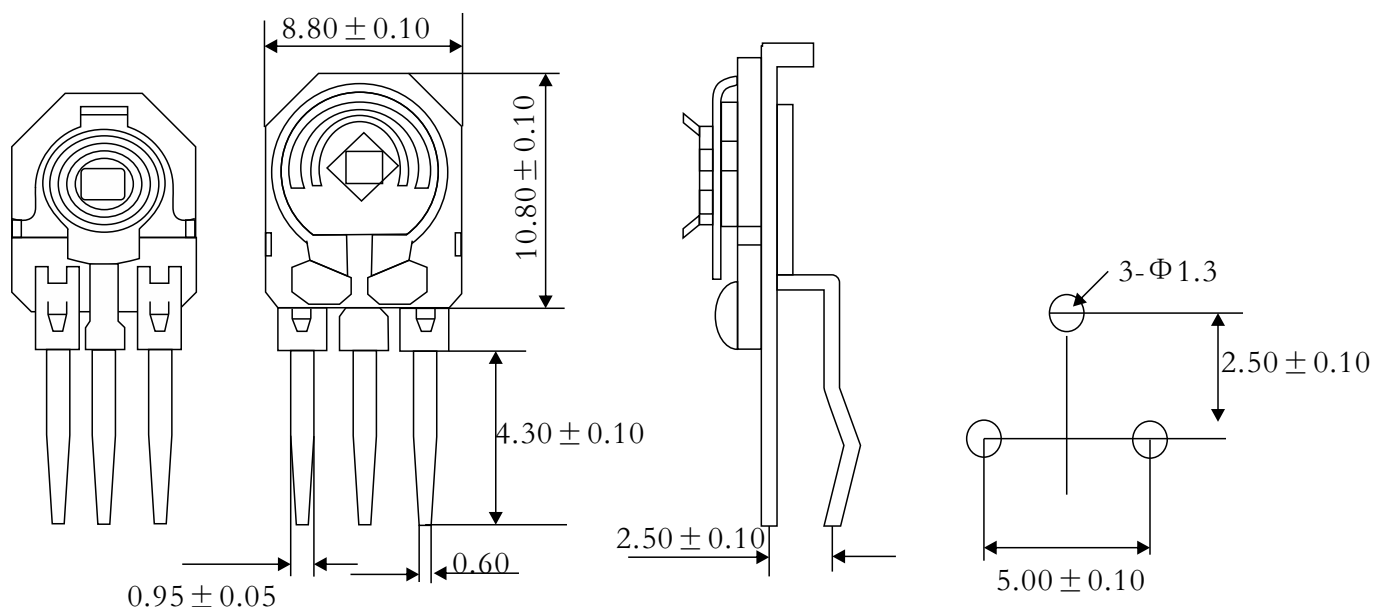
Feature

- I RM085G-H5 ceramic adjustable resistor with adjust point is on the side, we can also call it vertical type plug-in adjustable resistor, rated power 0.5W and tolerance 20% and 10%.
- II RM085G-H5 has two kinds of lead pitch 5mm*5mm and 5mm*2.5mm.

Applications

Widely used in the security products such as the building talk-back and household electric products.

Dimensions



Applications And Ratings

Type	Rated Power(W)	MaxWorking Voltage(V)	Resistance Range(Ω)	TCR (PPM/ $^{\circ}$ C)	Tolerance Range	Operating Temperature
RM085G-H5	0.5	AC30V	100~4.7M	± 250 PPm/ $^{\circ}$ C	$\pm 20\%$	-40° C - 125° C

Reference Standards

JIS C 5201-1

Ordering Information

Example

RM085G-H5	0.5	M	10R00	A
(1)	(2)	(3)	(4)	(5)
Series Name	Power Rating	Resistance Tolerance	Resistance	packing

(1)Type: RM085G-H5 SERIES

(2)Power Rating: 0.5=0.5W

(3)Tolerance: M±20%

(4)Resistance Value: 0R100=0.1Ω,0R220=0.22Ω,10R00=10KΩ,1M000=1MΩ

(5)packing:Blk Bulk

Performance

Resistance Range(Ω)	100~4.7M
Tolerance	±20%
Characteristics of the resistance change	B
MaxWorking Voltage(V)	AC30V
Rated Power	0.5W
Residual resistance	100Mv
Rotational life	R ≤ 1kΩ, R01,R03 ≤ 10Ω R ≥ 1kΩ, R01,R03 < 1%R
Rotational angel	240° ± 10°
Starting torque	5~35mN•m
Shaft stopper strength	50 mN•m
Mechanical life: 30 Coil resistance changes ± 10%	
Operating Temperature: -40°C ~ 125°C	
Temperature Characteristics: ± 3%,70°C For 5 hours	
TCR : ± 250ppm	