



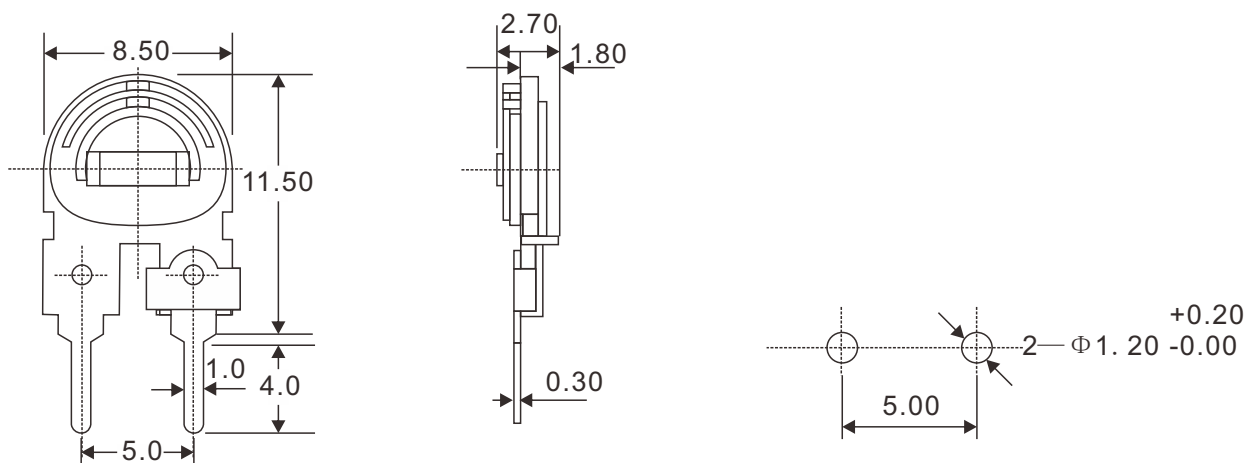
● Feature

RM085G-H3 with 8mm cap ceramic adjustable resistor, which is made from ceramic material and with adjust point is on the side, it has the characteristics of high temperature resistant and moisture proof. RM085G-H3 has two kinds of lead pitch 5mm*5mm and 5mm*2.5mm.

● Reference Standards

JIS C 5201-1

● Dimensions



● Applications And Ratings

Type	Rated Power(W)	MaxWorking Voltage(V)	Resistance Range(Ω)	TCR(PPM/ $^{\circ}$ C)	Tolerance Range	Operating Temperature
RM085-H3	0.1	50V Max	100~200	± 250 ppm/ $^{\circ}$ C	$\pm 20\%$	-40 $^{\circ}$ C -125 $^{\circ}$ C

● Ordering Information

Example

RM085-H3	0.1	M	10R00	A
(1)	(2)	(3)	(4)	(5)
Series Name	Power Rating	Resistance Tolerance	Resistance	packing

(1)Type: RM085-H3 SERIES

(2)Power Rating: 0.1=0.1W

(3)Tolerance: M $\pm 20\%$

(4)Resistance Value: 0R100=0.1 Ω ,0R220=0.22 Ω ,10R00=10K Ω ,1M000=1M Ω

(5)packing:Blk Bulk

● Performance

Resistance Range(Ω)	100 Ω ~2M Ω
Tolerance	$\pm 20\%$
Characteristics of the resistance change	B
MaxWorking Voltage(V)	AC50V
Rated Power	0.1W
Residual resistance	$R \leq 1K\Omega$: 30 Ω max , $R \geq 1K\Omega$: 3%max
Rotational life	$R \leq 15\%$ max. for 100cycles
Rotational angel	250° $\pm 20^\circ$
Starting torque	80~350gf.cm
Shaft stopper strength	0.5Kgf.cm Max