

● Feature

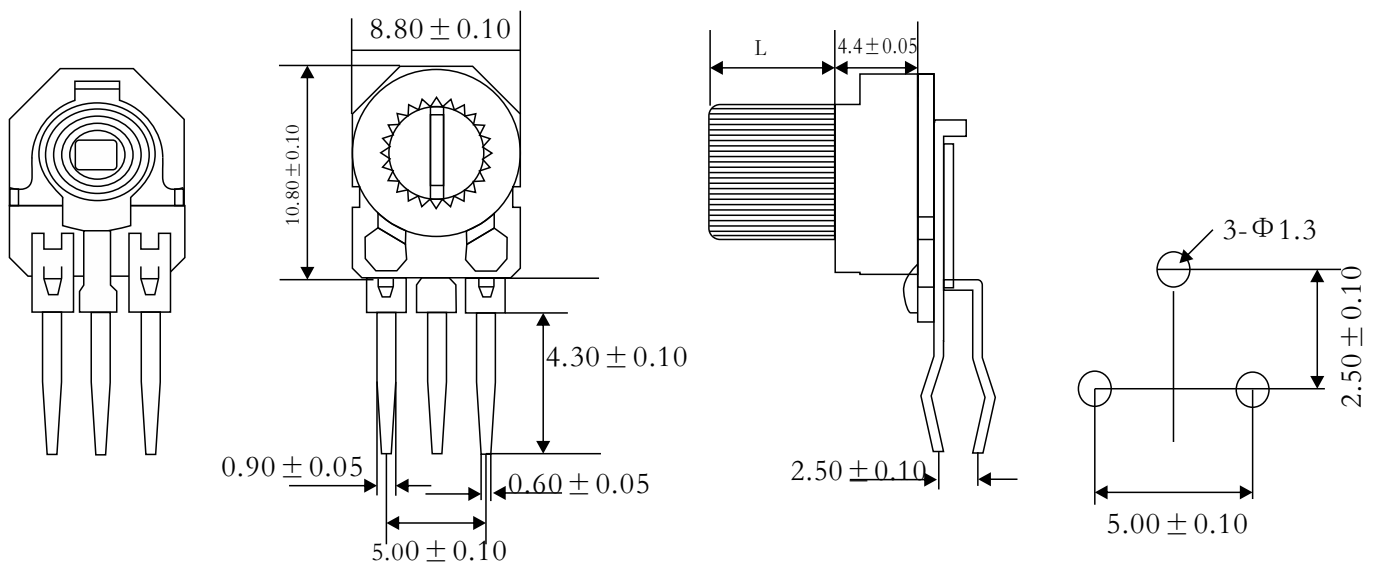
I RM085G-H3 with 8mm cap ceramic adjustable resistor, which is made from ceramic material and with adjust point is on the side, it has the characteristics of high temperature resistant and moisture proof.

II RM085G-H3 has two kinds of lead pitch 5mm * 5mm and 5mm * 2.5mm.

● Applications

Widely used in the security products such as the building talk-back and household electric products.

● Dimensions



● Applications And Ratings

| Type | Rated Power(W) | MaxWorking Voltage(V) | Resistance Range(Ω) | TCR (PPM/°C) | Tolerance Range | Operating Temperature |
|-----------|----------------|-----------------------|---------------------|--------------|-----------------|-----------------------|
| RM085G-H3 | 0.5W | AC30Vx | 100~500K | ±250PPm/°C | ±20% | -40°C -125°C |

● Reference Standards

JIS C 5201-1

● Ordering Information

Example

| | | | | |
|-------------|--------------|----------------------|------------|---------|
| RM085G-H3 | 0.5 | M | 10R00 | A |
| (1) | (2) | (3) | (4) | (5) |
| Series Name | Power Rating | Resistance Tolerance | Resistance | packing |

(1)Type: RM085G-H3 SERIES

(2)Power Rating: 0.5=0.5W

(3)Tolerance: $M \pm 20\%$

(4)Resistance Value: 0R100=0.1 Ω ,0R220=0.22 Ω ,10R00=10K Ω ,1M000=1M Ω

(5)packing:Blk Bulk

● Performance

| | |
|--|---|
| Resistance Range(Ω) | 100~500K |
| Tolerance | $\pm 20\%$ |
| Characteristics of the resistance change | B |
| MaxWorking Voltage(V) | AC30V |
| Rated Power | 0.5W |
| Rotational noise | 100mV |
| Residual resistance | $R \leq 1k\Omega, r01, r03 \leq 10\Omega$ $R > 1k\Omega, r01, r03 < 1\%R$ |
| Rotational angel | $240^\circ \pm 10^\circ$ |
| Starting torque | 3~30mN.m |
| Shaft stopper strength | 50mN.m |