



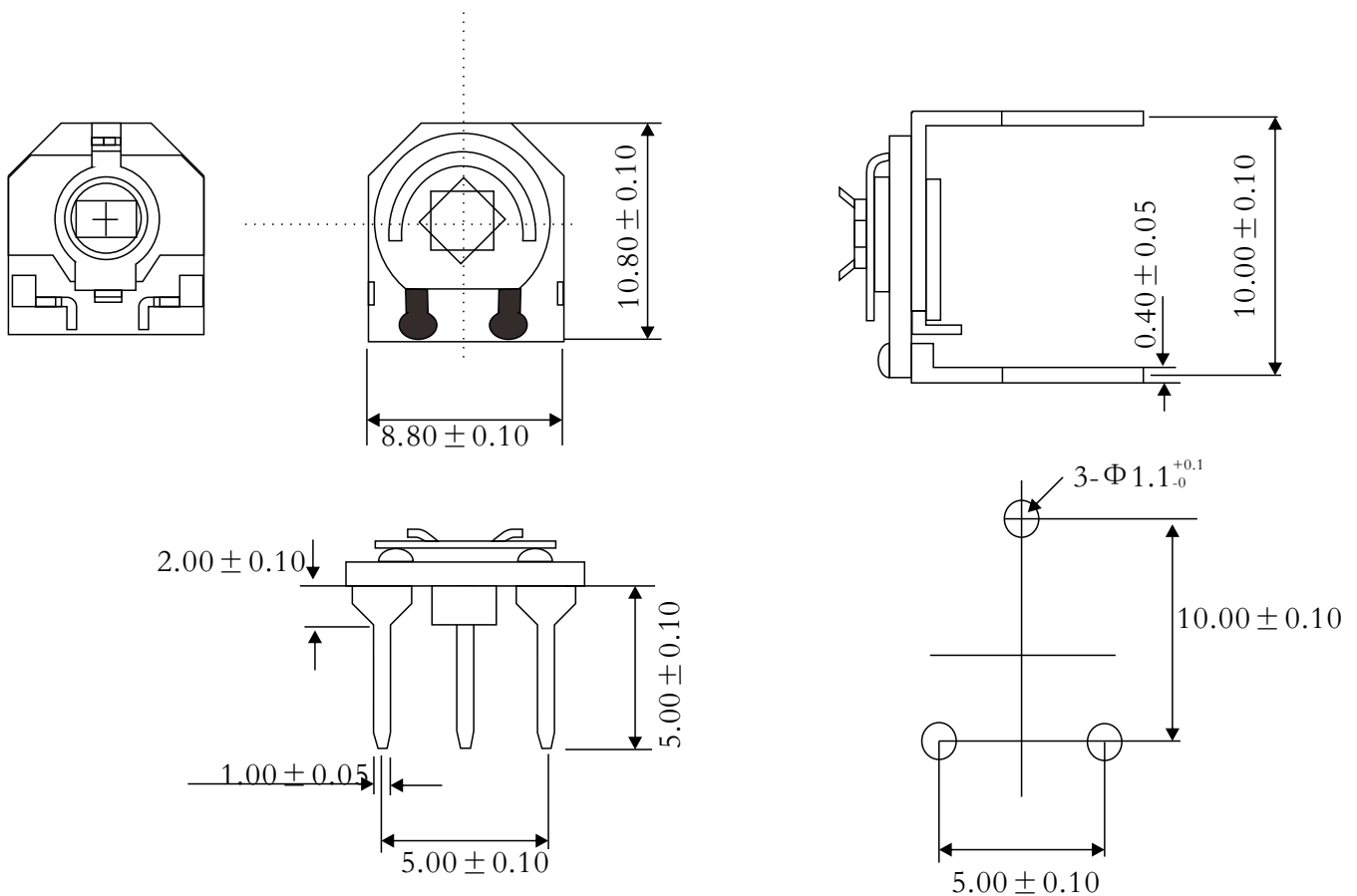
● Feature

- I RM085G-V5 is 8mm diameter ceramic adjustable resistor, with rated power 0.5W and tolerance of 20% and 10% (need to be customized)
- II RM085G-V5 is without cap three pin horizontal type, lead pitch 5*10, which has the characteristics of high temperature resistant and moisture proof.

● Applications

RM065C-H2 is widely used in the household appliance, instruments, communication products and electric security area.

● Dimensions



● Applications And Ratings

Type	Rated Power(W)	MaxWorking Voltage(V)	Resistance Range(Ω)	TCR (PPM/ $^{\circ}$ C)	Tolerance Range	Operating Temperature
RM085G-V5	0.5	AC30V	100~4.7M	± 250 PPm/ $^{\circ}$ C	$\pm 20\%$ $\pm 10\%$	-40 $^{\circ}$ C -125 $^{\circ}$ C

● Reference Standards

JIS C 5201-1

Ordering Information

Example

RM085G-V5	0.5	M	10R00	A
(1)	(2)	(3)	(4)	(5)
Series Name	Power Rating	Resistance Tolerance	Resistance	packing

(1)Type: RM085G-V5 SERIES

(2)Power Rating: 0.5=0.5W

(3)Tolerance: K ± 10%,M ± 20%

(4)Resistance Value: 0R100=0.1Ω,0R220=0.22Ω,10R00=10KΩ,1M000=1MΩ

(5)packing:Blk Bulk

Performance

Resistance Range(Ω)	100~4.7M
Tolerance	± 20%
Characteristics of the resistance change	B
MaxWorking Voltage(V)	AC30V
Rated Power	0.5W
Rotational noise	100mV
Residual resistance	$R \leq 1k\Omega, r01, r03 \leq 10\Omega$ $R > 1k\Omega, r01, r03 < 1\%R$
Rotational angel	240° ± 10°
Starting torque	5~35mN.m
Shaft stopper strength	50mN.m