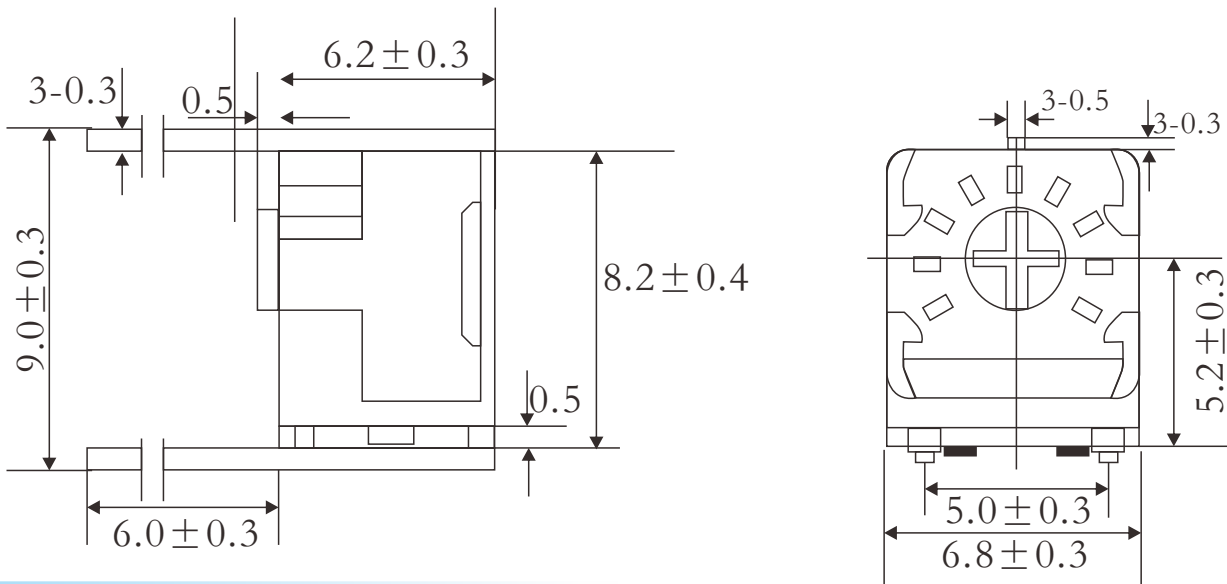




● Feature

- (Standard Resistance Range): 10Ω - $2M\Omega$
- (Resistance Tolerance): $\pm 5\%$, $\pm 10\%$
- (Terminal Resistance): $\leq 1\%R$ or 2Ω
- (Contact Resistance Variation): $\leq 3\%R$ or 3Ω
- (Insulation Resistance): $R1 \geq 1G\Omega$
- (Withstand Voltage): 101.3kPa 600V 8.5kPa 315V
- (Effective Electrical Travel): $210^\circ \pm 10^\circ$

● Dimensions



● Ordering Information

Example:

3323D	0.5	B	C	10R0
(1)	(2)	(3)	(4)	(5)
Series Name	Power Rating	Resistance Tolerance	TCR	Resistance

(1) Type: 3323D SERIES

(2) Power Rating: 0.5=5W

(3) Tolerance: J = $\pm 5\%$, K = $\pm 10\%$

(4) TCR: $\pm 100\text{ppm}/^\circ\text{C}$; $\pm 250\text{ppm}/^\circ\text{C}$;

(5) Resistance Value: 10R0=10R、10K00=10K Ω

Reference Standards

JIS C 5201-1

Power And Resistance etc

Type	Power(W)	Resistance Range(Ω)	Tolerance Range	TCR PPM/ $^{\circ}$ C	MaxWorking Voltage(V)	Operating Temperature
3323D	0.5W	10 Ω ~2M Ω	$\pm 5\%$ ~ $\pm 10\%$	± 100 ppm/ $^{\circ}$ C ± 250 ppm/ $^{\circ}$ C	250V	-55 $^{\circ}$ C ~ +125 $^{\circ}$ C

Peformance

(Rated Power):	+70 $^{\circ}$ C 0.5W;+125 $^{\circ}$ C 0W
(Temperature Range) :	-55 $^{\circ}$ C +125 $^{\circ}$ C
(Temperature Coefficient):	± 250 、 ± 100 ppm/ $^{\circ}$ C
(Temperature Variation) :	$\Delta R \leq \pm 2\%R$, $\Delta (U_{ab}/U_{ac}) \leq \pm 1\%$
(Collision):	390m/s2、4000 das Mal $\Delta R \leq \pm 1\%R$
(Vibration):	10~2000HZ, 0.75mm or 98m/s2,6h $\Delta R \leq \pm 1\%R$, $\Delta (U_{ab}/U_{ac}) \leq \pm 2\%$
(Climate Category):	$\Delta R \leq \pm 3\%R$, $R1 \geq 100M\Omega$
(Electrical Endurance at 70 $^{\circ}$ C):	0.5W、1000h、 $\Delta R \leq \pm 3\%R$
(Mechanical Endurance)	200(cyclesk) $\Delta R \leq \pm 3\%R$
(Steady Damp-heat):	$\Delta R \leq \pm 3\%R$ 、 $R1 \geq 100M\Omega$
(Total Machanical Travel)	250 $^{\circ}$ $\pm 10^{\circ}$
(Staring Torque)	≤ 20 mN.m
(Clutch Torque)	≤ 50 mN.m