



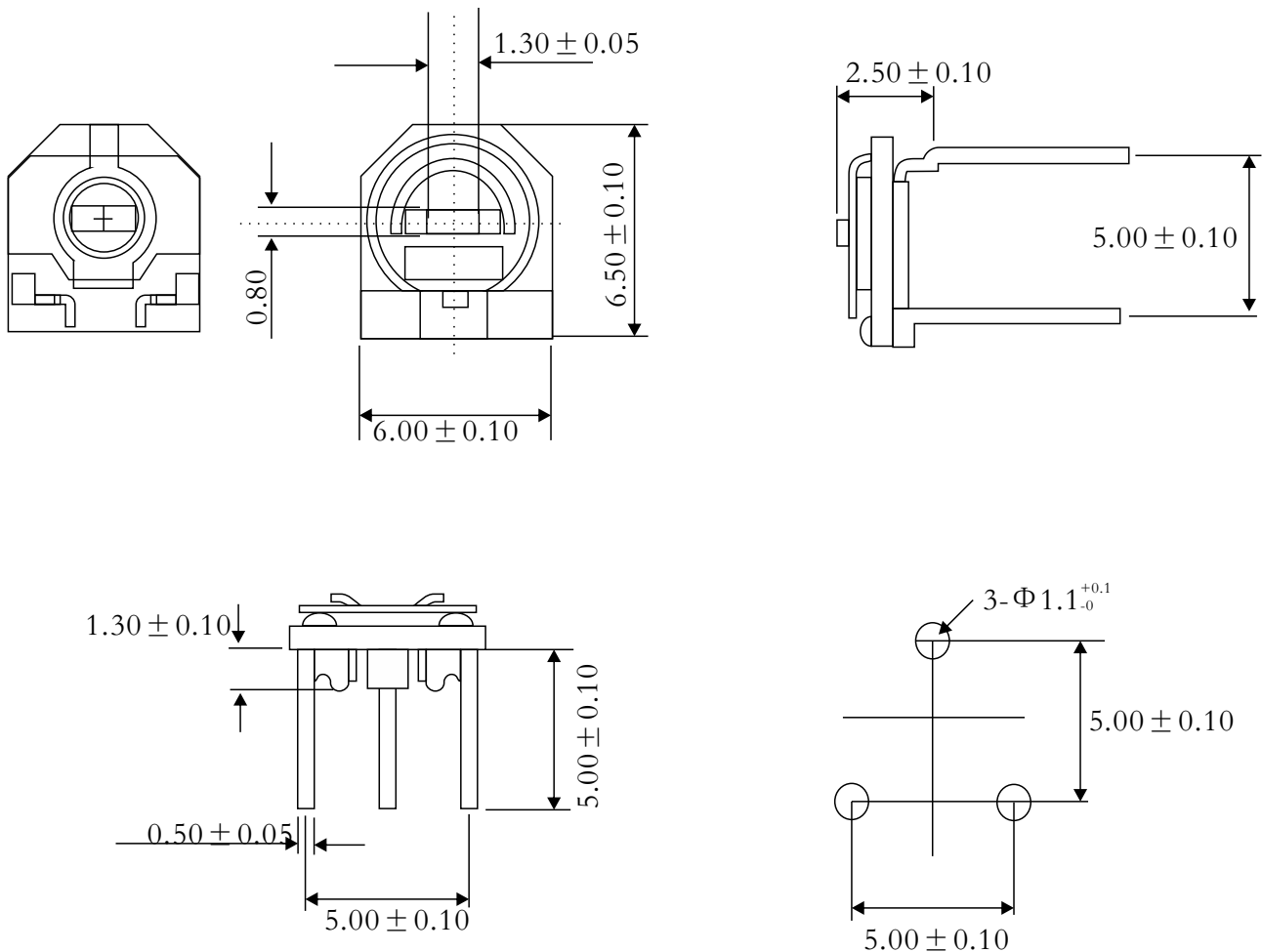
● Features

RM065G-V3 is ceramic adjustable resistor, with rated power 0.25W and tolerance of 20% and 10%(need to be customized)RM065G-V3 is without cap three pin horizontal type , lead pitch 5*5.

● Applications

RM065G-V3 is widely used in the household appliance, instruments, communication products and electric security area.

● Dimensions



● Applications And Ratings

Type	Rated Power(W)	MaxWorking Voltage(V)	Resistance Range(Ω)	TCR (PPM/ $^{\circ}$ C)	Tolerance Range	Operating Temperature
RM065G-V3	0.25	250	100~500K	± 250 PPm/ $^{\circ}$ C ± 100 ppm/ $^{\circ}$ C	$\pm 20\%$	-40 $^{\circ}$ C -125 $^{\circ}$ C

Reference Standards

JIS C 5201-1

Ordering Information

Example

RM065G-V3	0.25	N	100KO	A
(1)	(2)	(3)	(4)	(5)
Series Name	Power Rating	Resistance Tolerance	Resistance	packing

(1)Type: RM065G-V3 SERIES

(2)Power Rating: 0.25=0.25W

(3)Tolerance: M \pm 20%,N \pm 30%

(4)Resistance Value: 0R100=0.1 Ω ,0R220=0.22 Ω ,10R00=10K Ω ,1M000=1M Ω

(5)packing:Blk Bulk

Performance

Resistance Range(Ω)	100 Ω ~500K
Tolerance	\pm 20%
Characteristics of the resistance change	B
MaxWorking Voltage(V)	30V Max
Rated Power	0.25W
Rotational noise	R \leq 1K Ω : 30 Ω max , R \geq 1K Ω : 3%max
Residual resistance	R \leq 15% max. for 100cycles
Rotational angel	250° \pm 20°
Starting torque	80~350gf.cm
Shaft stopper strength	0.5Kgf.cm Max