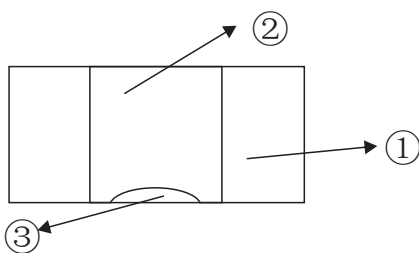


● 应用 Applications

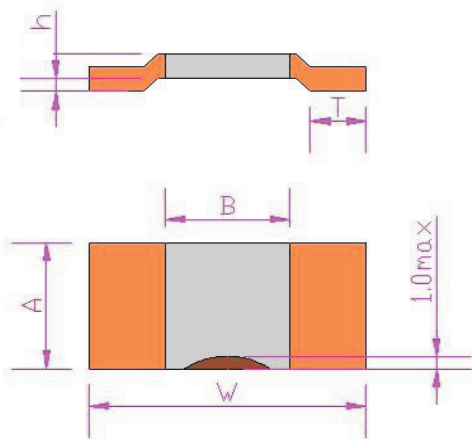
- I Current sensor for power hybrid applications
- II Frequency converters
- III Power modules
- IV Communication system
- V Automatic control power supply
- VI High current applications for the automotive market

● Construction



①	②	③
Elicited end	Alloy Material	Trimming Area

● Dimensions



Type	Size	Power (W)	Dimensions(mm)				
			W±0.2	A±0.4	B±0.3	T±0.2	h±0.1
FSR	2512	3	6.30	3.10	3.0	1.2	0.5
	3920	4	10.0	5.10	4.5	2.2	0.5
	5930	5	15.0	7.60	5.1	4.2	0.5

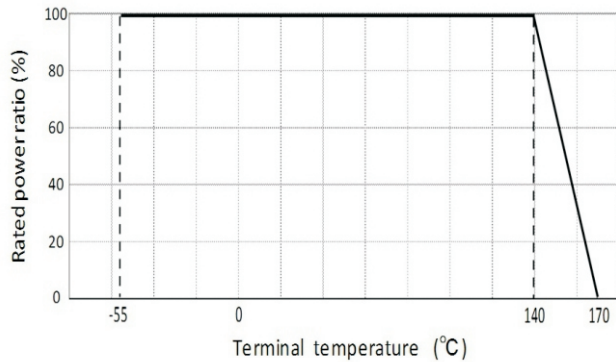
● Power And Resistance etc

Type	Size	Rated Power(W)	Resistance Range(mΩ)	T CR* ppm/°C	Tolerance Range	Operating Temperature Range
FSR	2512	3	0.3~3mΩ	± 50~ ± 150	J: ± 5%	-55°C ~ 250°C
	3920	4	0.3~3mΩ	± 75~ ± 175	G: ± 2% F: ± 1%	
	5930	5	0.2~2mΩ	± 75~ ± 225	D: ± 0.5%	

Power Derating

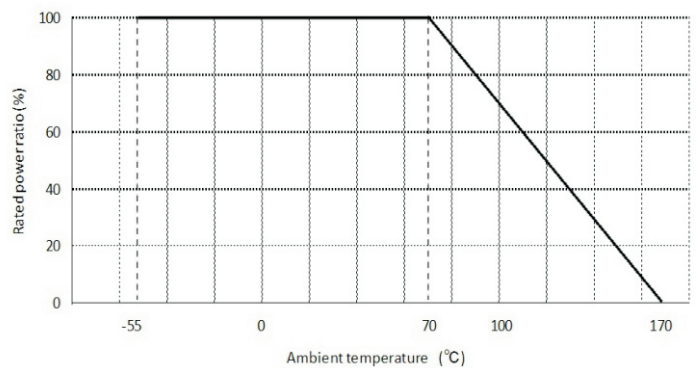
.FSR 2512

When the terminal temperature exceeds 140° C, power dissipation must be adjusted according to the derating curves below.

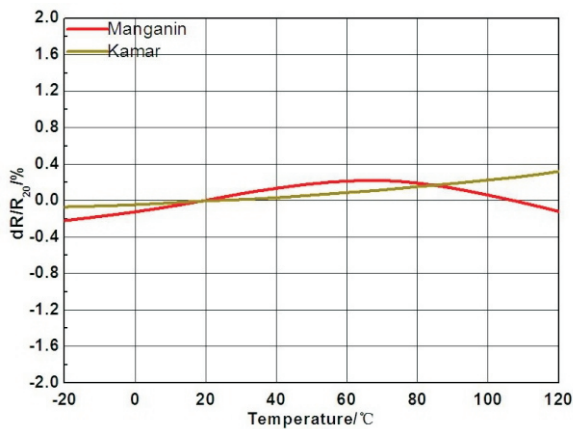


.FSR 3920 FSR 5930

When the ambient temperature exceeds 70° C, power dissipation must be adjusted according to the derating curves below.

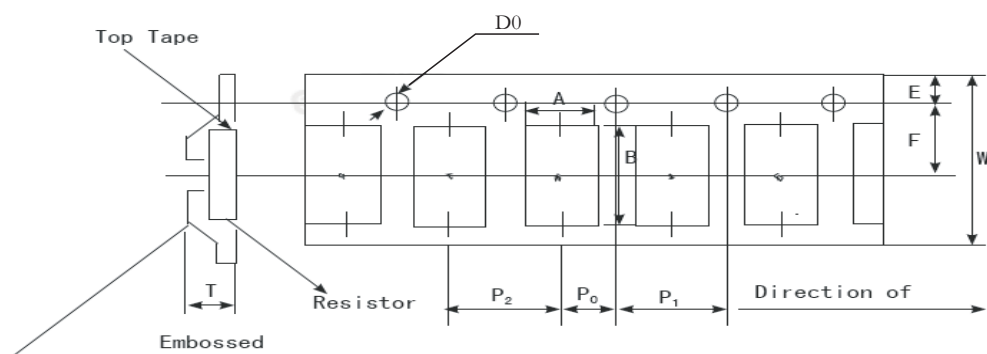


TCR Derating



Packaging

Embossed plastic Tape Specifications



Unit: mm

Size	A	B	W	E	F	P ₀	P ₁	P ₂	D ₀	T	Quantity
2512	4.3	7.6	16	1.55	7.5	3.85	7.7	7.7	1.50	1.7	1000
3920	6	11	24	1.55	11.2	6	12	12	1.50	2.0	2500
5930	8.6	16	24	1.55	10.8	6	12	12	1.50	2.4	2000

Property

TEST	CONDITIONS OF TESE	CONDITIONS OF TESE
Thermal Shock	-55°C to 150°C , 1000cycles, 15min at each extreme	± (1.0%+0.0005Ω)ΔR
Shot time overload	5x rated power for 5 s	
Low temperature storage	-65°C for 45 min	
High temperature exposure	1000 h at +170°C	
Bias humidity	+ 85°C , 85%RH, 10% bias, 1000h	
Mechanical shock	100 g, s for 6 ms, 5 pulses	
Vibration	Frequency varied 10 Hz to 200 Hz in 1min, 3 directions, 12h	
Load life	1000h at +70°C , 1.5h “ON” , 0.5h “OFF”	
Resistance to solder heat	+260°C solder, 10s to 12s dwell, 25mm/s emergence	
Moisture resistance	MIL-STD-202, method 106, 0% power, 7a and 7b not required	

Ordering Information

Example

FSR	3	3	J	T
Name	Power	mohm	Tol	Packaging
FSR	3: 2512 4: 3920 5: 5930	Resistance Range (mohms)	F= ± 1% G= ± 2% J= ± 5%	T:Tape