

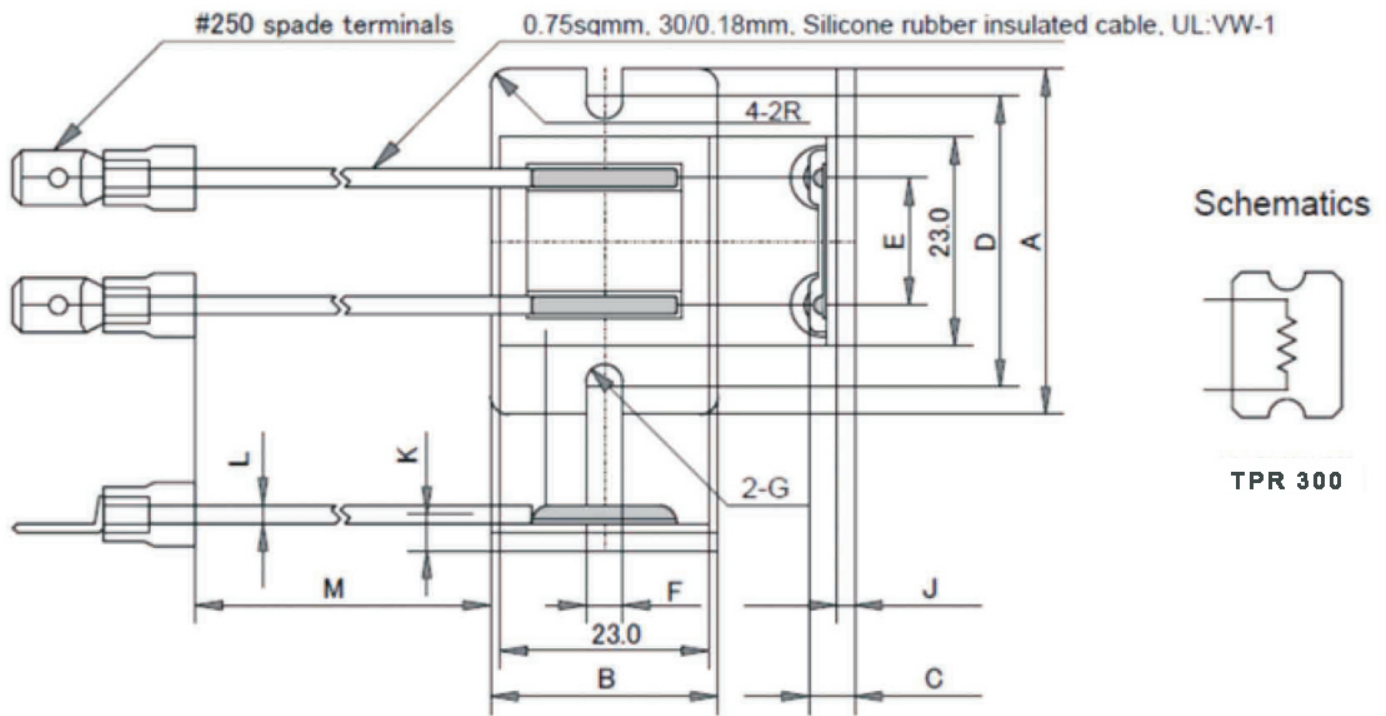
● Features

- I Small size big power
- II Thickfilm technology easy mounted
- III Very low inductance High Frequency applied
- IV High power density 300W

● Applications

TPR series especially suit as snubber resistors, gate resistors and dumping resistors ,suitable for pulse generators, high frequency amplifiers

● Dimensions



Type	Power (W)	Dimensions(mm)										
		A±0.5	B±0.5	C±0.5	D±0.2	E±0.5	F±0.0	G±0.5	J±0.2	K±0.5	L±0.5	M±10
TPR	300W	38.0	25.0	4.0	32.0	14.0	4.20	2~2.1R	1.5	2.5	2.1dia	435.0

● Applications And Ratings

Type	Power(W)	Resistance Range(Ω)	Max. operating voltage(V)	Tolerance range
TPR	300W	0.1 Ω ~51K Ω	500V DC	±1% ±5% ±10%

Ordering Information

Example:

TPR	300	J	4R7
(1)	(2)	(3)	(4)
Series Name	Power Rating	Resistance Tolerance	Resistance

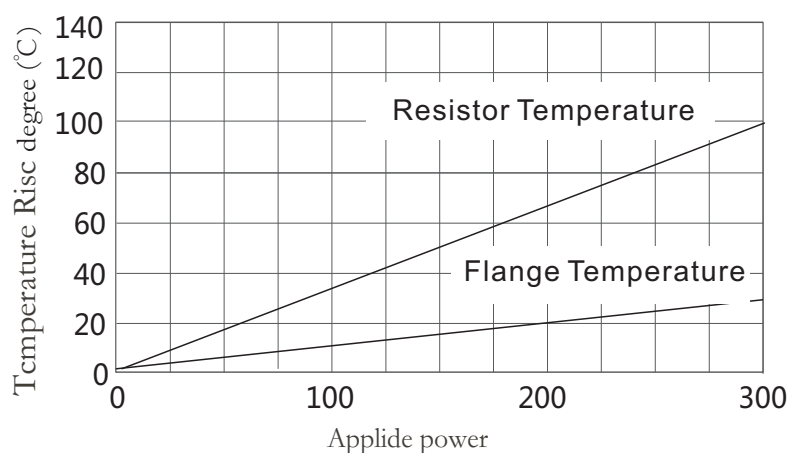
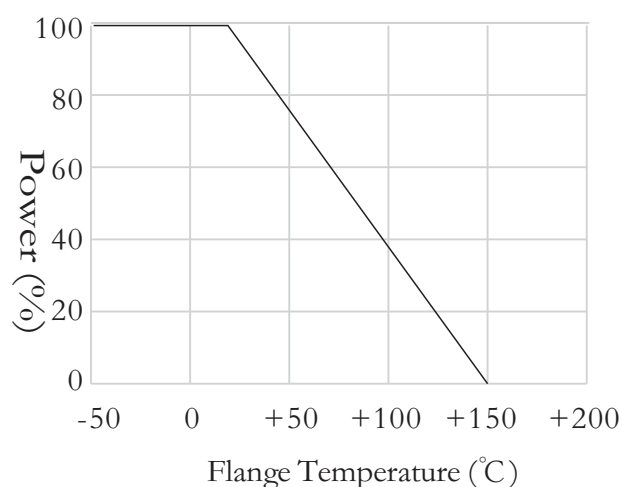
(1)Type: TGR SERIES

(2)Power Rating: 300=300W

(3)Tolerance: F=1%,J=±5%,K=±10%

(4)Resistance Value:R24=0.24Ω、4R7=4.7R、47R0=47Ω,51K00=51KΩ

Derating Curve



Performance

Rated Power	300W (temp. of centre part of copper substrate)
working voltage	500V DC
resistance range	0.1ohm-51K ohm
TCR	100ppm/° C
Tolerance	10% 5% 1%
Operating Temp. range	-55°C -155°C
Insulating voltage	>2000V
load life	$\Delta R < \pm 2\%$ 1000hours rated power
Soldering Heat	$\Delta R < +0.2\%$ 260° C 10S
Solderability	$\Delta R < +0.2\%$ 235° C 5S
Insulating Resistance	>10Gohm